

LYNX PROFESSIONAL SERIES
PRICE GUIDE



 **LYNX**
LIVE THE LYNX LIFE

LYNX 54" PROFESSIONAL BUILT-IN GRILL



OPEN VIEW

PRODUCT OVERVIEW

- Precise power—one Trident™ Infrared Burner and three Cast Ceramic Burners combining to provide up to 98,000 BTU
- Generous capacity—1,555 square inches of cooking surface (1,110 primary, 445 secondary)
- Slow-cooking excellence—with a dual-position rotisserie internally powered by a heavy-duty three-speed motor, and a rear infrared burner delivering up to 14,000 BTU
- Indulgent extra—premium smoker box included
- Beautiful illumination—luminous blue-lit control knobs
- Steady performance—heat-stabilizing design
- Reliable speed—Hot Surface Ignition system lights burners quickly and safely
- Perfect clarity—dual halogen grill surface lights
- Quick visibility—temperature gauge
- Easy opening—Lynx Hood Assist
- Smooth movement—fluid rotation handle
- Premier platform—stainless steel grilling grates
- Steadfast durability—heavy-duty welded construction eliminates gaps where grease can collect
- Open options—available in Natural Gas and LP

| MODEL | DESCRIPTION |
|-------|---|
| L54TR | 54" Built-In Grill - 1 Trident Burner with Rotisserie |
| LJ54 | Insulating Jacket for 54" Built-In-Grill |
| CC54 | 54" Carbon Fiber Vinyl Cover (Built-In) |

NOTE: Must specify gas type—NG for Natural Gas or LP for Propane

LYNX 42" PROFESSIONAL BUILT-IN GRILL



OPEN VIEW

PRODUCT OVERVIEW

- Diverse choices—available in three different burner configurations
- Generous capacity—1,200 square inches of cooking surface (855 primary, 345 secondary)
- Slow-cooking excellence—with a dual-position rotisserie internally powered by a heavy-duty three-speed motor, and a rear infrared burner delivering up to 16,000 BTU
- Indulgent extra—premium smoker box included
- Beautiful illumination—luminous blue-lit control knobs
- Steady performance—heat-stabilizing design
- Reliable speed—Hot Surface Ignition system lights burners quickly and safely
- Perfect clarity—dual halogen grill surface lights
- Quick visibility—temperature gauge
- Easy opening—Lynx Hood Assist
- Smooth movement—fluid rotation handle
- Premier platform—stainless steel grilling grates
- Steadfast durability—heavy-duty welded construction eliminates gaps where grease can collect
- Open options—available in Natural Gas and LP

| MODEL | DESCRIPTION |
|--------|--|
| L42R-3 | 42" Built-In Grill with Rotisserie |
| L42TR | 42" Built-In Grill - 1 Trident IR Burner with Rotisserie |
| L42ATR | 42" Built-In Grill - All Trident IR Burner with Rotisserie |
| IJJ42 | Insulating Jacket for 42" Built-In Grill |
| CC42 | 42" Carbon Fiber Vinyl Cover (Built-In) |

NOTE: Must specify gas type—NG for Natural Gas or LP for Propane

LYNX 36" PROFESSIONAL BUILT-IN GRILL



OPEN VIEW

 **FLAMETRAK™**
SAFETY SYSTEM
AVAILABLE ON THE LF36ATR MODEL

PRODUCT OVERVIEW

- Diverse choices—available in three different burner configurations
- Ample capacity—935 square inches of cooking surface (640 primary, 295 secondary)
- Slow-cooking excellence—with a dual-position rotisserie internally powered by a heavy-duty three-speed motor, and a rear infrared burner delivering up to 14,000 BTU
- Reliable speed—Hot Surface Ignition system lights burners quickly and safely *(Note: Grill with Flametrak™ uses a high speed Spark Ignition rather than Hot Surface Ignition)*
- Unprecedented safety—FLAMETRAK™ safety system shuts off the gas if the flame goes out *(available only on the LF36ATR Model)*.
- Indulgent extra—premium smoker box included
- Beautiful illumination—luminous blue-lit control knobs
- Steady performance—heat-stabilizing design
- Perfect clarity—dual halogen grill surface lights
- Quick visibility—temperature gauge
- Easy opening—Lynx Hood Assist
- Smooth movement—fluid rotation handle
- Premier platform—stainless steel grilling grates
- Steadfast durability—heavy-duty welded construction eliminates gaps where grease can collect
- Open options—available in Natural Gas and LP

| MODEL | DESCRIPTION |
|--------|--|
| L36R-3 | 36" Built-In Grill with Rotisserie |
| L36TR | 36" Built-In Grill - 1 Trident IR Burner with Rotisserie |
| L36ATR | 36" Built-In Grill - All Trident IR Burner with Rotisserie |
| IJJ36 | Insulated Jacket for 36" Built-In-Grill |
| CC36 | 36" Carbon Fiber Vinyl Cover (Built-In) |

NOTE: Must specify gas type—NG for Natural Gas or LP for Propane

LYNX 30" PROFESSIONAL BUILT-IN GRILL



OPEN VIEW

PRODUCT OVERVIEW

- Diverse choices—available in three different burner configurations
- Ample capacity—840 square inches of cooking surface (600 primary, 240 secondary)
- Slow-cooking excellence—with a dual-position rotisserie internally powered by a heavy-duty three-speed motor, and a rear infrared burner delivering up to 14,000 BTU
- Indulgent extra—premium smoker box included
- Beautiful illumination—luminous blue-lit control knobs
- Steady performance—heat-stabilizing design
- Reliable speed—Hot Surface Ignition system lights burners quickly and safely
- Perfect clarity—halogen grill surface light
- Quick visibility—temperature gauge
- Easy opening—Lynx Hood Assist
- Smooth movement—fluid rotation handle
- Premier platform—stainless steel grilling grates
- Steadfast durability—heavy-duty welded construction eliminates gaps where grease can collect
- Open options—available in Natural Gas and LP

| MODEL | DESCRIPTION |
|--------|--|
| L30R-3 | 30" Built-In Grill with Rotisserie |
| L30TR | 30" Built-In Grill - 1 Trident IR Burner with Rotisserie |
| L30ATR | 30" Built-In Grill - All Trident IR Burner with Rotisserie |
| LJJ30 | Insulated Jacket for 30" Built-In-Grill |
| CC30 | 30" Carbon Fiber Vinyl Cover (Built-In) |

NOTE: Must specify gas type—NG for Natural Gas or LP for Propane

LYNX 27" PROFESSIONAL BUILT-IN GRILL



OPEN VIEW

PRODUCT OVERVIEW

- Diverse choices—available in two different burner configurations
- Ample capacity—685 square inches of cooking surface (470 primary, 215 secondary)
- Slow-cooking excellence—with a dual-position rotisserie internally powered by a heavy-duty three-speed motor, and a rear infrared burner delivering up to 14,000 BTU
- Indulgent extra—premium smoker box included
- Beautiful illumination—backlit blue-lit control knobs
- Steady performance—heat-stabilizing design
- Reliable speed—Hot Surface Ignition system lights burners quickly and safely
- Perfect clarity—halogen grill surface light
- Quick visibility—temperature gauge
- Easy opening—Lynx Hood Assist
- Smooth movement—fluid rotation handle
- Premier platform—stainless steel grilling grates
- Steadfast durability—heavy-duty welded construction eliminates gaps where grease can collect
- Open options—available in Natural Gas and LP

| MODEL | DESCRIPTION |
|--------|--|
| L27R-3 | 27" Built-In Grill with Rotisserie |
| L27TR | 27" Built-In Grill - 1 Trident IR Burner with Rotisserie |
| LIJ27 | Insulated Jacket for 27" Built-In-Grill |
| CC27 | 27" Carbon Fiber Vinyl Cover (Built-In) |

NOTE: Must specify gas type—NG for Natural Gas or LP for Propane

BUILT-IN INSULATED JACKET / OUTDOOR VENT HOODS



MODELS

LIJ27 / LIJ30 / LIJ36 / LIJ42 / LIJ54

INSULATED JACKET

- Secure assurance—required for grills installed in islands with combustible materials
- Steadfast durability—heavy-duty welded construction



MODELS

LOH36 / LOH48 / LOH60

OUTDOOR VENT HOODS

- Tested safety—UL rated for outdoor use
- Extra assurance—includes a high heat sensor
- Flawless finish—seamless welded construction with Lynx signature polished highlights
- Versatile use—including a 10-inch square to round transition with damper
- Clear illumination—two sets of 50-watt halogen lights
- Flexible configuration—removable commercial-style stainless steel baffle system
- Optional external blower—1,500 CFM (Model LOHE, sold separately)
- Optional internal blower—1,200 CFM (Model LOHI, sold separately)

| MODEL | DESCRIPTION |
|---------|--|
| LOH36 | 36" Outdoor Vent Hood (Blower sold separately) |
| LOH48 | 48" Outdoor Vent Hood (Blower sold separately) |
| LOH60 | 60" Outdoor Vent Hood (Blower sold separately) |
| LOHE | External Blower Motor rated at 1,400 CFM |
| LOHI | Internal Blower Motor rated at 1,200 CFM |
| LOH1236 | 12" duct cover for 36" hood |
| LOH1836 | 18" duct cover for 36" hood |
| LOH1248 | 12" duct cover for 48" hood |
| LOH1848 | 18" duct cover for 48" hood |
| LOH1260 | 12" duct cover for 60" hood |
| LOH1860 | 18" duct cover for 60" hood |
| LIJ27 | Insulated Jacket for 27" Grill |
| LIJ30 | Insulated Jacket for 30" Grill and Asado Grill |
| LIJ36 | Insulated Jacket for 36" Grill |
| LIJ42 | Insulated Jacket for 42" Grill |
| LIJ54 | Insulated Jacket for 54" Grill |

BUILT-IN COVERS



MODELS

CC27 / CC30 / CC36 / CC42 / CC54

CARBON FIBER VINYL GRILL COVERS (BUILT-IN)

- Perfect protection—a custom tailored fit
- Lasting resilience—tough textured vinyl
- Secure durability—pocket seams for lasting quality and a flexible cord for a close fit
- Quick placement—nylon finger loops help pull and secure the cover in place
- Tasteful elegance—deep embossed Lynx logo
- Delicate touch—felt lining protects stainless steel finishes
- Intelligent design—rear vent helps to expel moisture

| MODEL | DESCRIPTION |
|-------|---|
| CC27 | 27" Carbon Fiber Vinyl Cover (Built-In) |
| CC30 | 30" Carbon Fiber Vinyl Cover (Built-in) |
| CC36 | 36" Carbon Fiber Vinyl Cover (Built-in) |
| CC42 | 42" Carbon Fiber Vinyl Cover (Built-in) |
| CC54 | 54" Carbon Fiber Vinyl Cover (Built-in) |

LYNX 54" PROFESSIONAL FREESTANDING GRILL



PRODUCT OVERVIEW

- Precise power—one Trident™ Infrared Burner and three Cast Ceramic Burners combining to provide up to 98,000 BTU
- Generous capacity—1,555 square inches of cooking surface (1,110 primary, 445 secondary)
- Slow-cooking excellence—with a dual-position rotisserie internally powered by a heavy-duty three-speed motor, and a rear infrared burner delivering up to 14,000 BTU
- Indulgent extra—premium smoker box included
- Beautiful illumination—luminous blue-lit control knobs
- Steady performance—heat-stabilizing design
- Reliable speed—Hot Surface Ignition system lights burners quickly and safely
- Perfect clarity—dual halogen grill surface lights
- Quick visibility—temperature gauge
- Easy opening—Lynx Hood Assist
- Smooth movement—fluid rotation handle
- Premier platform—stainless steel grilling grates
- Steadfast durability—heavy-duty welded construction eliminates gaps where grease can collect
- Open options—available in Natural Gas and LP

| MODEL | DESCRIPTION |
|---------|--|
| L54TRF | 54" Freestanding Grill - 1 Trident IR Burner with Rotisserie |
| LCB2-3 | Cart Mounted Double Side Burner |
| LSTLP | Sliding Tank Tray, cart units 30", 42" and 54" only |
| CC54F | 54" All Grill Carbon Fiber Vinyl Cover (Freestanding) |
| CC54FCB | 54" All Grill Carbon Fiber Vinyl Cover (Freestanding with Side Burner) |

NOTE: Must specify gas type—NG for Natural Gas or LP for Propane

LYNX 42" PROFESSIONAL FREESTANDING GRILL



PRODUCT OVERVIEW

- Diverse choices—available in two different burner configurations
- Generous capacity—1,200 square inches of cooking surface (855 primary, 345 secondary)
- Slow-cooking excellence—with a dual-position rotisserie internally powered by a heavy-duty three-speed motor, and a rear infrared burner delivering up to 16,000 BTU
- Indulgent extra—premium smoker box included
- Beautiful illumination—luminous blue-lit control knobs
- Steady performance—heat-stabilizing design
- Reliable speed—Hot Surface Ignition system lights burners quickly and safely
- Perfect clarity—dual halogen grill surface lights
- Quick visibility—temperature gauge
- Easy opening—Lynx Hood Assist
- Smooth movement—fluid rotation handle
- Premier platform—stainless steel grilling grates
- Steadfast durability—heavy-duty welded construction eliminates gaps where grease can collect
- Open options—available in Natural Gas and LP

| MODEL | DESCRIPTION |
|---------|--|
| L42TRF | 42" Freestanding Grill - 1 Trident IR Burner with Rotisserie |
| L42ATRF | 42" Freestanding Grill - All Trident IR Burner with Rotisserie |
| LCB2-3 | Cart Mounted Double Side Burner |
| LSTLP | Sliding Tank Tray, cart units 30", 42" and 54" only |
| CC42F | 42" Carbon Fiber Vinyl Cover (Freestanding) |
| CC42FCB | 42" Carbon Fiber Vinyl Cover (Freestanding with Side Burner) |

NOTE: Must specify gas type—NG for Natural Gas or LP for Propane

LYNX 36" PROFESSIONAL FREESTANDING GRILL



 **FLAMETRAK™**
SAFETY SYSTEM
AVAILABLE ON THE LF36ATRF MODEL

PRODUCT OVERVIEW

- Diverse choices—available in three different models
- Ample capacity—935 square inches of cooking surface (640 primary, 295 secondary)
- Slow-cooking excellence—with a dual-position rotisserie internally powered by a heavy-duty three-speed motor, and a rear infrared burner delivering up to 14,000 BTU
- Reliable speed—Hot Surface Ignition system lights burners quickly and safely (*Note: Grill with Flametrak™ uses a high speed Spark Ignition rather than Hot Surface Ignition*)
- Unprecedented safety—FLAMETRAK™ safety system shuts off the gas if the flame goes out (*available only on the LF36ATRF Model*).
- Indulgent extra—premium smoker box included
- Beautiful illumination—luminous blue-lit control knobs
- Steady performance—heat-stabilizing design
- Perfect clarity—dual halogen grill surface lights
- Quick visibility—temperature gauge
- Easy opening—Lynx Hood Assist
- Smooth movement—fluid rotation handle
- Premier platform—stainless steel grilling grates
- Steadfast durability—heavy-duty welded construction eliminates gaps where grease can collect
- Open options—available in Natural Gas and LP

| MODEL | DESCRIPTION |
|---------|--|
| L36TRF | 36" Freestanding Grill - 1 Trident IR Burner with Rotisserie |
| L36ATRF | 36" Freestanding Grill - All Trident IR Burner with Rotisserie |
| LCB2-3 | Cart Mounted Double Side Burner |
| CC36F | 36" Carbon Fiber Vinyl Cover (Freestanding) |
| CC36FCB | 36" Carbon Fiber Vinyl Cover (Freestanding with Side Burner) |

NOTE: Must specify gas type—NG for Natural Gas or LP for Propane

LYNX 30" PROFESSIONAL FREESTANDING GRILL



PRODUCT OVERVIEW

- Diverse choices—available in two different burner configurations
- Ample capacity—840 square inches of cooking surface (600 primary, 240 secondary)
- Slow-cooking excellence—with a dual-position rotisserie internally powered by a heavy-duty three-speed motor, and a rear infrared burner delivering up to 14,000 BTU
- Indulgent extra—premium smoker box included
- Beautiful illumination—luminous blue-lit control knobs
- Steady performance—heat-stabilizing design
- Reliable speed—Hot Surface Ignition system lights burners quickly and safely
- Perfect clarity—halogen grill surface light
- Quick visibility—temperature gauge
- Easy opening—Lynx Hood Assist
- Smooth movement—fluid rotation handle
- Premier platform—stainless steel grilling grates
- Steadfast durability—heavy-duty welded construction eliminates gaps where grease can collect
- Open options—available in Natural Gas and LP

| MODEL | DESCRIPTION |
|---------|--|
| L30TRF | 30" Freestanding Grill - 1 Trident IR Burner with Rotisserie |
| L30ATRF | 30" Freestanding Grill - All Trident IR Burner with Rotisserie |
| LCB2-3 | Cart Mounted Double Side Burner |
| LSTLP | Sliding Tank Tray, cart units 30", 42" and 54" only |
| CC30F | 30" Grill or Smoker Carbon Fiber Vinyl Cover (Freestanding) |
| CC30FCB | 30" Carbon Fiber Vinyl Cover (Freestanding with Side Burner) |

NOTE: Must specify gas type—NG for Natural Gas or LP for Propane

LYNX 27" PROFESSIONAL FREESTANDING GRILL



PRODUCT OVERVIEW

- Precise power—one Trident infrared burner and one cast ceramic burner combining to provide up to 48,000 BTU
- Ample capacity—685 square inches of cooking surface (470 primary, 215 secondary)
- Slow-cooking excellence—with a dual-position rotisserie internally powered by a heavy-duty three-speed motor, and a rear infrared burner delivering up to 14,000 BTU
- Indulgent extra—premium smoker box included
- Beautiful illumination-backlit blue-lit control knobs
- Steady performance—heat-stabilizing design
- Reliable speed—Hot Surface Ignition system lights burners quickly and safely
- Perfect clarity—halogen grill surface light
- Quick visibility—temperature gauge
- Easy opening—Lynx Hood Assist
- Smooth movement—fluid rotation handle
- Premier platform—stainless steel grilling grates
- Steadfast durability—heavy-duty welded construction eliminates gaps where grease can collect
- Open options—available in Natural Gas and LP

| MODEL | DESCRIPTION |
|---------|--|
| L27TRF | 27" Freestanding Grill - 1 Trident IR Burner with Rotisserie |
| LCB2-3 | Cart Mounted Double Side Burner |
| CC27F | 27" Carbon Fiber Vinyl Cover (Freestanding) |
| CC27FCB | 27" Carbon Fiber Vinyl Cover (Freestanding with Side Burner) |

NOTE: Must specify gas type—NG for Natural Gas or LP for Propane

MOBILE KITCHEN BY LYNX



30" GRILL ON MOBILE KITCHEN CART



SERVE AND PREP COUNTERTOP ON MOBILE KITCHEN CART

| MODEL | DESCRIPTION |
|----------|---|
| LSERVE | Serve & Prep Countertop |
| LSERVE-M | Serve & Prep Countertop on Mobile Kitchen Cart |
| L30R3-M | 30" Grill with Rotisserie on Mobile Kitchen Cart |
| L30TR-M | 30" Grill - 1 Trident IR with Rotisserie on Mobile Kitchen Cart |
| L30ATR-M | 30" Grill - All Trident IR with Rotisserie on Mobile Kitchen Cart |
| CC30M | 30" Grill Vinyl Cover (Mobile Kitchen Cart) |
| LMKC54 | 54" Mobile Kitchen Cart |

FREESTANDING SIDE BURNER / SLIDING TANK TRAY / COVERS



MODEL LCB2-3

CART MOUNTED DOUBLE SIDE BURNER

- Versatile intensity—two brass burners that you can turn from low simmer up to intense heat at 15,000 BTU
- Reliable speed—Hot Surface Ignition system lights burners quickly and safely
- Clean finish—burners and burner basin are sealed and easy to clean
- Striking illumination—luminous blue-lit control knobs
- Steadfast durability—heavy-duty welded construction eliminates gaps where grease can collect



MODEL LSTLP

SLIDING TANK TRAY

- Comfortable access—the sliding Liquid Propane tank tray provides safe and easy access
- Optional applications—available for freestanding 30", 42", 54" carts



FREESTANDING GRILL COVER

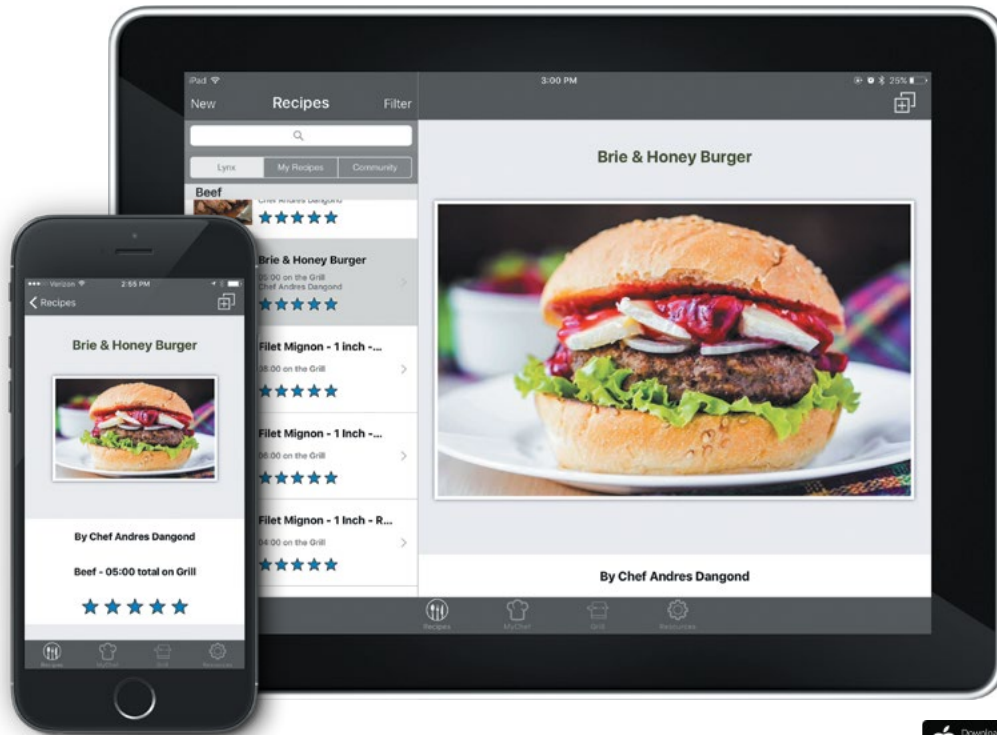
FREESTANDING GRILL COVER

- Perfect protection—a custom tailored fit
- Lasting resilience—tough textured vinyl
- Secure durability—pocket seams for lasting quality and a flexible cord for a close fit
- Quick placement—nylon finger loops help pull and secure the cover in place
- Tasteful elegance—deep embossed Lynx logo
- Delicate touch—felt lining protects stainless steel finishes
- Intelligent design—rear vent helps to expel moisture

| MODEL | DESCRIPTION |
|---------|--|
| CC27F | 27" Carbon Fiber Vinyl Cover (Freestanding) |
| CC27FCB | 27" Carbon Fiber Vinyl Cover (Freestanding with Side Burner) |
| CC30F | 30" Grill or Smoker Carbon Fiber Vinyl Cover (Freestanding) |
| CC30FCB | 30" Carbon Fiber Vinyl Cover (Freestanding with Side Burner) |
| CC30M | 30" Grill Vinyl Cover (Mobile Kitchen Cart) |
| CC36F | 36" Carbon Fiber Vinyl Cover (Freestanding) |
| CC36FCB | 36" Carbon Fiber Vinyl Cover (Freestanding with Side Burner) |
| CC42F | 42" Carbon Fiber Vinyl Cover (Freestanding) |
| CC42FCB | 42" Carbon Fiber Vinyl Cover (Freestanding with Side Burner) |
| CC54F | 54" Carbon Fiber Vinyl Cover (Freestanding) |
| CC54FCB | 54" Carbon Fiber Vinyl Cover (Freestanding with Side Burner) |

NOTE: For planning and installation details, including dimensions, specification sheets, and CAD drawings please visit the Support/Product Documents section of the Lynx website: lynxgrills.com

LYNX PROFESSIONAL SMART SERIES



AUTOMATED COOKING

MyChef™ operating system monitors cooking times and temperatures

Learning algorithm allows Lynx Smart Series products to dial in your preferred doneness

SMARTPHONE CONTROL

Monitor your food from anywhere through Lynx Smart Series apps

Receive a notification when your attention is required

Connects to your home's WiFi network

CONNECT WITH THE LYNX SMART COMMUNITY

Upload your own recipes to the Smart Recipes database

Save your favorites to your profile

UNPARALLELED SAFETY FEATURES

Temperature sensors measure cooking temperatures so you have complete control over the action

Receive alerts when your grill or smoker are being used

Lynx Smart Series products automatically shut down if left inactive longer than 30 minutes

LYNX NAPOLI OUTDOOR OVEN™ — COUNTERTOP OR BUILT-IN



PRODUCT OVERVIEW

- Flexible capacity—400 square inches of cooking surface
- Powerful performance—preheats to 700°F (200°F hotter than most indoor ovens) for authentic stone oven baking
- Responsive adjustment—variable infrared heat
- Flexible configuration—reversible top chimney vents toward the front or back
- Stunning details—hand-polished mirrored edges
- Beautiful illumination—luminous blue-lit control knobs
- Powerful intensity—with a 40,000 BTU capacity
- Uncompromised construction—specially formulated concrete refractory interior dome and cooking surface
- Careful convenience—cooking surface pulls forward for easy access to food
- Secure enclosure—removable front door
- Perfect clarity—includes interior lighting
- Convenient extra—Includes 12¼" x 20" Pizza Peel
- 30" W x 29" H x 28.5" D

| MODEL | DESCRIPTION |
|---------|---|
| LPZA | Napoli Outdoor Oven, Countertop or Built-In |
| CCLPZA | 30" Napoli Outdoor Oven Carbon Fiber Vinyl Cover (Countertop) |
| CCLPZAB | 30" Napoli Outdoor Oven Carbon Fiber Vinyl Cover (Built-In) |
| LPZANGK | Napoli Oven LP to NG Conversion Kit |
| LPZALPK | Napoli Oven NG to LP Conversion Kit |

LYNX NAPOLI OUTDOOR OVEN™ — FREESTANDING



PRODUCT OVERVIEW

- Flexible capacity—400 square inches of cooking surface
- Powerful performance—preheats to 700°F (200°F hotter than most indoor ovens) for authentic stone oven baking
- Responsive adjustment—variable infrared heat
- Flexible configuration—reversible top chimney vents toward the front or back
- Stunning details—hand-polished mirrored edges
- Beautiful illumination—luminous blue-lit control knobs
- Powerful intensity—with a 40,000 BTU capacity
- Uncompromised construction—specially formulated concrete refractory interior dome and cooking surface
- Careful convenience—cooking surface pulls forward for easy access to food
- Secure enclosure—removable front door
- Perfect clarity—includes interior lighting
- Adaptable placement—freestanding application

| MODEL | DESCRIPTION |
|---------|---|
| LPZAF | Napoli Outdoor Oven, Freestanding |
| LMKC54 | 54" Mobile Kitchen Cart |
| CCLPZAF | 30" Napoli Outdoor Oven Carbon Fiber Vinyl Cover (Freestanding) |
| LPZANGK | Napoli Oven LP to NG Conversion Kit |
| LPZALPK | Napoli Oven NG to LP Conversion Kit |

For great recipes, visit www.lynxgrills.com/recipes

ASADO COOKTOP — BUILT-IN



PRODUCT OVERVIEW

- Precise power—two Trident™ Infrared Burners combining to provide up to 46,000 BTU
- Flexible capacity—495-square-inch dual-zone cooking surface
- Perfect surface—multi-layer grilling surface of aluminum sandwiched between two sheets of stainless steel
- Beautiful illumination—luminous blue-lit control knobs
- Reliable speed—Hot Surface Ignition system lights burners quickly and safely
- Quick clean-up—removable dual grease trays and removable grilling surface for easy cleaning
- Elegant protection—includes attractive stainless steel cover
- Steadfast durability—heavy-duty welded construction eliminates gaps where grease can collect

| MODEL | DESCRIPTION |
|---------|---|
| L30AG | 30" Asado Built-In Grill |
| LII30 | Insulated Jacket for 30" Asado Built-In |
| CCASADO | 30" Asado Carbon Fiber Vinyl Cover (built-in) |

NOTE: Must specify gas type—NG for Natural Gas or LP for Propane

ASADO COOKTOP — FREESTANDING



PRODUCT OVERVIEW

- Precise power—two Trident™ Infrared Burners combining to provide up to 46,000 BTU
- Flexible capacity—495-square-inch dual-zone cooking surface
- Perfect surface—multi-layer grilling surface of aluminum sandwiched between two sheets of stainless steel
- Beautiful illumination—luminous blue-lit control knobs
- Reliable speed—Hot Surface Ignition system lights burners quickly and safely
- Quick clean-up—removable dual grease trays and removable grilling surface for easy cleaning
- Elegant protection—includes attractive stainless steel cover
- Steadfast durability—heavy-duty welded construction eliminates gaps where grease can collect
- Convenient room—flat counter space to prep and serve, and a storage cabinet with two doors
- Ready to roll—built upon heavy-duty casters with brakes for easy mobility

| MODEL | DESCRIPTION |
|----------|---|
| L30AGF | 30" Asado Freestanding Grill |
| CCASADOF | 30" Asado Carbon Fiber Vinyl Cover (freestanding) |

NOTE: Must specify gas type—NG for Natural Gas or LP for Propane

ASADO COOKTOP — MOBILE KITCHEN CART



PRODUCT OVERVIEW

- Precise power—two Trident™ Infrared Burners combining to provide up to 46,000 BTU
- Flexible capacity—495-square-inch dual-zone cooking surface
- Perfect surface—multi-layer grilling surface of aluminum sandwiched between two sheets of stainless steel
- Beautiful illumination—luminous blue-lit control knobs
- Reliable speed—Hot Surface Ignition system lights burners quickly and safely
- Quick clean-up—removable dual grease trays and removable grilling surface for easy cleaning
- Elegant protection—includes attractive stainless steel cover
- Steadfast durability—heavy-duty welded construction eliminates gaps where grease can collect
- Convenient room—flat counter space to prep and serve, and a storage cabinet with two doors and two drawers
- Ready to roll—built upon heavy-duty casters with brakes for easy mobility

| MODEL | DESCRIPTION |
|-----------|---|
| L30AG-M | 30" Asado Grill on Mobile Kitchen Cart |
| LMKC54 | 54" Mobile Kitchen Cart |
| CCAGSERVE | Asado Grill or Serve Counter Carbon Vinyl Cover (Mobile Kitchen Cart) |

NOTE: Must specify gas type—NG for Natural Gas or LP for Propane

PROFESSIONAL BURNERS



MODEL LSB1-3

SINGLE SIDE BURNER

- Versatile intensity—one brass burner that you can turn from low simmer up to intense heat at 15,000 BTU
- Reliable speed—Hot Surface Ignition system lights burners quickly and safely
- Beautiful coverage—stainless steel cover to protect the burner when not in use
- Clean finish—burners and burner basin are sealed and easy to clean
- Striking illumination—luminous blue-lit control knobs
- Steadfast durability—heavy-duty welded construction eliminates gaps where grease can collect



MODEL LSB2-2

DOUBLE SIDE BURNERS

- Versatile intensity—two brass burners that you can turn from low simmer up to intense heat at 15,000 BTU
- Reliable speed—Hot Surface Ignition system lights burners quickly and safely
- Beautiful coverage—stainless steel cover to protect the burner when not in use
- Clean finish—burners and burner basin are sealed and easy to clean
- Striking illumination—luminous blue-lit control knobs
- Steadfast durability—heavy-duty welded construction eliminates gaps where grease can collect

| MODEL | DESCRIPTION |
|--------|--|
| LSB1-3 | Built-In Single Side Burner |
| LSB2-2 | Built-In Double Side Burner |
| CCLSB1 | Single Side Burner Carbon Fiber Vinyl Cover (Built-In) |
| CCLSB | Double Side Burner Carbon Fiber Vinyl Cover (Built-In) |

NOTE: Must specify gas type—NG for Natural Gas or LP for Propane; may require Lynx Accessory Switch Kit (LASK)

PROFESSIONAL BURNERS



MODEL LSB2PC-1

DOUBLE SIDE BURNERS W/ INTEGRAL PREP CENTER

- Versatile intensity—two brass burners that you can turn from low simmer up to intense heat at 15,000 BTU
- Ready room—the integral cutting board provides a convenient prep area
- Reliable speed—Hot Surface Ignition system lights burners quickly and safely
- Beautiful coverage—two removable stainless steel covers included, for the prep area and side burners
- Clean finish—burners and burner basin are sealed and easy to clean
- Spacious storage—the extended depth accommodates oversized grilling tools, towels, or wood chips
- Striking illumination—luminous blue-lit control knobs
- Steadfast durability—heavy-duty welded construction eliminates gaps where grease can collect



MODEL LPB

POWER BURNER

- Versatile intensity—letting you select from 3,000 up to 47,000 BTU
- Assured reliability—dual-ring red brass burner
- Copious space—the large grate surface accommodates an oversized stockpot
- Reliable speed—Hot Surface Ignition system lights burners quickly and safely
- Comprehensive coverage—fully extendable drip pan
- Innovative options—removable center grate lets you use a commercial-style wok
- Striking illumination—luminous blue-lit control knobs
- Beautiful coverage—removable stainless steel cover included

| MODEL | DESCRIPTION |
|----------|--|
| LSB2PC-1 | Double Side Burner with Integrated Prep Center |
| LPB | Power Burner |
| CCLSB2PC | Double Side Burner with Prep Center Carbon Fiber Vinyl Cover |
| CCLPB | Power Burner Carbon Fiber Vinyl Cover |

NOTE: Must specify gas type—NG for Natural Gas or LP for Propane; may require Lynx Accessory Switch Kit (LASK)

WARMING DRAWERS



MODEL L42CC-1

42" WARMING DRAWER AND CONVENIENCE CENTER

- Compact convenience—a warming drawer, Liquid Propane tank storage cabinet, and utility drawer, all in one unit
- Spacious storage—the extended depth accommodates oversized grilling tools, towels, or wood chips
- Comprehensive options—warming drawer has two removable steam pans, lids, and steam racks
- Hidden heating—a concealed heating element lets you use the warming drawer as a towel or robe warmer
- Lasting elegance—weather-resistant stainless steel construction
- Comfortable access—the sliding Liquid Propane tank tray provides safe and easy access
- Adaptable range—temperature settings from 90° to 220°F, to keep breads warm or poultry piping hot
- Precision control—moist and crisp settings help maintain the perfect texture for your food
- Indicator light—reminds you when the drawer is on
- Stunning details—hand-polished mirrored highlights



MODEL L30WD-1

30" BUILT-IN WARMING DRAWER

- Adaptable range—temperature settings from 90° to 220°F, to keep breads warm or poultry piping hot
- Precision control—moist and crisp settings help maintain the perfect texture for your food
- Indicator light—reminds you when the drawer is on
- Fully featured—equipped with two removable steam pans, lids, and steam racks
- Hidden heating—a concealed heating element lets you use the warming drawer as a towel or robe warmer
- Lasting elegance—weather-resistant stainless steel construction

| MODEL | DESCRIPTION |
|---------|---|
| L30WD-1 | 30" Warming Drawer |
| L42CC-1 | 42" Convenience Center with Warming Drawer, Utility Drawer and Tank Storage |

NOTE: For planning and installation details, including dimensions, specification sheets, and CAD drawings please visit the Support/Product Documents section of the Lynx website: lynxgrills.com



MODEL L24TWS
SINGLE TOWER HEAD

MODEL L24TWD
DOUBLE TOWER HEAD

- Tailored integration—both tap towers work with the Lynx 24" Beverage Dispenser (LM24BFL and LM24BFR)



MODEL LM24BFL / LM24BFR

Shown with: Optional L24TWD

24" BEVERAGE DISPENSER

- Lasting beauty—high-quality stainless steel
- Convenient display—digital readout
- Versatile uses—two half shelves for storing drinks
- Innovative alerts—alarm indicates when the door is ajar, to protect food and save energy
- Individualized fit—can be ordered right or left hinge
- Flexible expansion—compatible with Single Tower Head (L24TWS) and Double Tower Head (L24TWD) to convert into beer dispenser
- Striking effect—blue interior lighting
- Customized range—temperature range of 34°–46°F
- Proven efficiency—Energy Star rated
- Simple security—the door locks for safety
- Helpful placements—secure CO2 tank storage area, drain bottle, and rear port for external CO2 tank option
- Keg compatibility—Designed for half kegs, pony kegs, and sixth barrels/cornelius kegs
- Tested safety—UL listed for outdoor use
- Proven efficiency—Energy Star rated
- Optional taps—sold separately



MODEL LM24DWR
24" REFRIGERATOR DRAWER

- Substantial room—5 cubic feet of space
- Responsive performance—dynamic cooling technology allows real-time temperature control
- Striking effect—blue interior lighting
- Innovative alerts—alarm indicates when the door is ajar, or if the temperature changes by more than 10°F in an hour, to protect food and save energy
- Complete access—full-extension glide-out drawer slides for access to the back of the drawer
- Simple security—the drawer locks for safety
- Customized range—temperature range of 34°–42°F
- Tested safety—UL listed for outdoor use
- Proven efficiency—Energy Star rated

| MODEL | DESCRIPTION |
|-----------|---|
| L24TWS | Single Tap Tower Kit |
| L24TWD | Double Tap Tower Kit |
| LM24BFL/R | 24" Beverage Dispenser |
| CCTWR | 24" Beverage Dispenser / Single Tower Tap Head Carbon Fiber Vinyl Cover |
| LM24DWR | 24" Two Drawer Refrigerator |

REFRIGERATION



MODEL LM24REFGL / LM24REFGR 24" OUTDOOR REFRIGERATOR WITH GLASS DOOR

- Easy visibility—Glass Door Front
- Plentiful room—5.3 cubic feet of space
- Responsive performance—dynamic cooling technology allows real-time temperature control
- Striking effect—blue interior lighting
- Intuitive alerts—alarm indicates when the door is ajar, or if the temperature changes by more than 10°F in an hour, to protect food and save energy
- Ample access—a 24-inch wide refrigerator to keep everything chilled
- Flexible configuration—two fully adjustable stainless steel shelves
- Individualized fit - can be ordered right or left hinge
- Simple security—the door locks for safety
- Customized range—temperature range of 34°–42°F
- Tested safety—UL listed for outdoor use
- Proven efficiency—Energy Star rated



MODEL LM24REFL / LM24REFR 24" REFRIGERATOR

- Plentiful room—5.3 cubic feet of space
- Responsive performance—dynamic cooling technology allows real-time temperature control
- Striking effect—blue interior lighting
- Intuitive alerts—alarm indicates when the door is ajar, or if the temperature changes by more than 10°F in an hour, to protect food and save energy
- Ample access—a 24-inch wide refrigerator to keep everything chilled
- Flexible configuration—two fully adjustable stainless steel shelves
- Individualized fit - can be ordered right or left hinge
- Simple security—the door locks for safety
- Customized range—temperature range of 34°–42°F
- Tested safety—UL listed for outdoor use
- Proven efficiency—Energy Star rated



MODEL LM24REFCL / LM24REFCR 24" REFRIGERATOR & FREEZER COMBINATION

- Plentiful room—the refrigerator has 3.9 cubic feet of space
- Space to chill—the freezer has a self-closing door and 1 cubic foot of capacity (enough for 12 pints of ice cream)
- Individualized fit - can be ordered right or left hinge
- Striking effect—blue interior lighting
- Innovative alerts—audible and visual alarms indicate when the door is ajar, to protect food and save energy
- Variable storage—adjustable shelves easily meet your needs
- Optional expansion—an optional ice maker kit can produce and store up to 13 pounds of crescent ice (LMICEKIT)
- Lasting beauty—high-quality stainless steel
- Proven reliability—tested to perform in temperatures up to 115°F
- Worry-free convenience—automatic defrost for frost-free freezer operation
- Certified durability—CSA certified for outdoor use to withstand elements like rain, high humidity and heat
- Proven efficiency—Energy Star rated

| MODEL | DESCRIPTION |
|---------------------|--|
| LM24REFGL/LM24REFGR | 24" Outdoor Refrigerator with Glass Door |
| LM24REFL/R | 24" Outdoor Refrigerator |
| LM24REFCL/R | 24" Outdoor Refrigerator & Freezer Combination |
| LMICEKIT | Ice Maker Kit for 24" Outdoor Refrigerator & Freezer Combination |

REFRIGERATION



MODEL LM15REFL / LM15REFR

15" REFRIGERATOR

- Plentiful room—2.73 cubic feet of space
- Responsive performance—dynamic cooling technology allows real-time temperature control
- Striking effect—blue interior lighting
- Innovative alerts—alarm indicates when the door is ajar, or if the temperature changes by more than 10°F in an hour, to protect food and save energy
- Flexible configuration—two fully adjustable stainless steel shelves
- Simple security—the door locks for safety
- Customized range—temperature range of 34°–42°F
- Individualized fit—can be ordered right or left hinge
- Tested safety—UL listed for outdoor use
- Proven efficiency—Energy Star rated



MODEL LM15WINEL / LM15WINER

15" WINE CELLAR

- Plentiful room—2.7 cubic feet of space
- Capacity in case—stores up to 24 bottles
- Striking effect—Black interior with blue interior lighting
- Patient protection—cushions wine against agitation while it matures
- Steady support—four sturdy wine racks are shaped to cradle each wine bottle
- Complete access—full-extension gliding shelves slide out for access
- Quiet cooling—the exclusive design buffers and minimizes sound
- Individualized fit—can be ordered right or left hinge



MODEL LM15ICER

15" OUTDOOR ICE MACHINE

- Generous capacity—produces up to 39 pounds of ice
- Innovative alerts—audible alerts and programmed cleaning reminders
- Crystal clarity—produces pure, clear ice with unrivaled clarity
- Striking effect—blue interior lighting
- Gentle closing—close door assist system
- Lasting beauty—high-quality stainless steel
- Individualized fit—aligned for a right hinge
- Certified durability—CSA certified for outdoor use to withstand elements like rain, high humidity and heat
- Proven efficiency—Energy Star rated
- Optional drain pump (LM15ICE-DP)

| MODEL | DESCRIPTION |
|-------------|---|
| LM15ICER | 15" Outdoor Ice Machine |
| LM15ICE-DP | Optional Drain Pump for 15" Outdoor Ice Machine |
| LM15REFL/R | 15" Outdoor Refrigerator |
| LM15WINEL/R | 15" 20 Bottle Wine Cellar |

VENTANA STORAGE COLLECTION



MODELS LSA30-4 / LSA36-4 / LSA42-4

OUTDOOR KITCHEN STORAGE SYSTEM

- Generous depth—each drawer is 25.5 inches deep
- Perfect completion—soft-close drawer slides
- Tidy enclosure—rubber trim around the frame helps block dust and water
- Quick cleaning—easy-to-clean stainless steel surface
- Elegant simplicity—designed with understated style
- Essential storage—a 30-inch-wide door and double drawer combination
- Striking effect—interior lighting for drawers and cabinet
- Perfect ending—soft-close door hinge
- Subtle convenience—flush-mounted reversible handle is there when you need it
- Perennial refinement—clean design eliminates places that dirt can collect
- Expandable options—door accessory kits available

MODELS LDR18L-4 / LDR18R-4 / LDR24L-4 / LDR24R-4 LDR30T-4 / LDR36T-4 / LDR42T-4

SINGLE ACCESS DOORS / DOUBLE ACCESS DOORS

- 18", 24", 30", 36" & 42" sizes available
- Tidy enclosure—rubber trim around the frame helps block dust and water
- Subtle convenience—flush-mounted reversible handle is there when you need it
- Perennial refinement—clean design eliminates places that dirt can collect
- Expandable options—door accessory kits available
- Quick cleaning—easy-to-clean stainless steel surface
- Elegant simplicity—designed with understated style
- Perfect ending—soft-close hinge

MODELS LDRKS / LDRKL

DOOR ACCESSORY KIT

- Handy convenience—includes two bottle holders and a towel bar
- Versatile application—fits doors that are 18 or 30 inches (LDRKS) or 24, 36, or 42 inches (LDRKL)

VENTANA STORAGE COLLECTION



MODEL LPA36-4

36" SEALED PANTRY

- Complete access—full-extension glide-out drawer slides for access to the back of the drawer
- Striking effect—blue interior lighting for drawers
- Quick cleaning—easy-to-clean stainless steel surface
- Elegant simplicity—designed with understated style
- Clean storage—the magnetic gasket ensures a tight seal against outdoor elements
- Flexible use—adjustable wire shelf
- Spacious room—storage is 31 by 18 by 23 inches
- Perennial refinement—clean design eliminates places that dirt can collect
* may require Lynx Accessory Switch Kit for power supply (LASK)



MODEL LMD-4

MODULAR STORAGE DRAWER

- Lasting beauty—high-quality stainless steel
- Complete access—full-extension glide-out drawer slides for access to the back of the drawer
- Variable configuration—drawers can be installed individually, or as two or three drawers stacked
- Consistent lines—the 3-drawer configuration matches the height of Lynx LDR Access Doors
- Optional expansion—a modular drawer kit (Model LMD-KIT) lets you stack drawers two or three high



MODEL LDW16-4

UTILITY DRAWERS - DOUBLE DRAWER

- Lasting beauty—high-quality stainless steel
- Complete access—full-extension glide-out drawer slides for access to the back of the drawer
- Variable configuration—drawers can be installed individually, or as two or three drawers stacked
- Tidy enclosure—rubber trim around the frame helps block dust and water
- Perfect completion—soft close drawer slides

VENTANA STORAGE COLLECTION



MODEL LDW19-4

UTILITY DRAWERS - EXTRA LARGE DOUBLE DRAWER

- Extensive storage—the extended depth of 22 inches accommodates oversized grilling tools, towels, or wood chips
- Stable strength—rigid welded construction ensures strength and longevity
- Tidy enclosure—rubber trim around the frame helps block dust and water
- Quick cleaning—easy-to-clean stainless steel surface
- Elegant simplicity—designed with understated style
- Ample width—each drawer exterior is 19 inches wide
- Smooth reliability—fully extendable drawers on commercial stainless steel rollers
- Perfect completion—soft-close drawer slides
- Subtle convenience—flush-mounted reversible handle is there when you need it
- Perennial refinement—clean design eliminates places that dirt can collect



MODEL L20TR-4

OUTDOOR TRASH & RECYCLE CENTER

- Quick clean-up—includes two removable receptacles for recycling and trash
- Subtle convenience—flush-mounted reversible handle is there when you need it
- Elegant simplicity—designed with understated style
- Tidy enclosure—rubber trim around the frame helps block dust and water
- Perennial refinement—clean design eliminates places that dirt can collect



MODEL LTA30-4

30" TRASH CENTER & DOUBLE DRAWERS

- Quick clean-up—includes a removable receptacle for recycling or trash
- Convenient storage—with two stacked drawers
- Subtle convenience—flush-mounted reversible handle is there when you need it
- Perennial refinement—clean design eliminates places that dirt can collect
- Efficient space—combination trash center and storage system
- Easy fit—accommodates an LP gas tank
- Tidy enclosure—rubber trim around the frame helps block dust and water
- Quick cleaning—easy-to-clean stainless steel surface
- Elegant simplicity—designed with understated style, illuminated drawers & door space

VENTANA STORAGE COLLECTION



MODEL LTWL

TOWEL DISPENSER

- Solid feel—heavy-duty welded construction
- Tidy enclosure—rubber trim around the frame helps block dust and water
- Subtle convenience—flush-mounted reversible handle is there when you need it
- Artful placement—provides an appealing concealed storage for paper towels
- Customized access—the door swings down
- Perfect ending—soft-close hinge Flush mounted reversible handle



MODEL LTB

14" TOWEL BAR

- Versatile placement—towel bar can be mounted on the outdoor kitchen
- Flawless finish—solid stainless steel hardware
- Solid feel—heavy-duty welded construction



MODEL L18TS

COUNTERTOP TRASH CHUTE

- Quick access—offers convenient countertop trash disposal
- Intuitive convenience—commercial-style slide-away chopping board
- Versatile integration—works with any Lynx trash center
- Beautiful coverage—stainless steel cover with a polished highlight included

VENTANA STORAGE COLLECTION

| MODEL | DESCRIPTION |
|----------|--|
| LPA36-4 | Sealed Pantry |
| LMD-4 | Modular Drawer (single drawer) |
| LMD-KIT | Modular Drawer Kit (allows you to stack model LMD 2 or 3 high) |
| LDW16-4 | Double Drawers |
| LDW19-4 | Extra Large Double Drawers |
| LSA30-4 | 30" Access Door Drawer Combination |
| LSA36-4 | 36" Access Door Drawer Combination |
| LSA42-4 | 42" Access Door Drawer Combination |
| LDR18L-4 | 18" Single Access Door (Hinge Left) |
| LDR18R-4 | 18" Single Access Door (Hinge Right) |
| LDR24L-4 | 24" Single Access Door (Hinge Left) |
| LDR24R-4 | 24" Single Access Door (Hinge Right) |
| LDR30T-4 | 30" Double Access Doors |
| LDR36T-4 | 36" Double Access Doors |
| LDR42T-4 | 42" Double Access Doors |
| LDRKS | Door Accessory Pack Includes: 2 bottle holders & 1 Towel Bar & Mounting Kit for 18" & 30" doors |
| LDRKL | Door Accessory Pack Includes: 2 bottle holders & 1 Towel Bar & Mounting Kit for 24", 36" & 42" doors |
| L20TR-4 | Lynx 20" Trash & Recycle Bins - Slide-out, Framed |
| LTA30-4 | 30" Trash Center & Double Drawer Combo |
| LTWL | Paper Towel Dispenser |
| LTB | Towel Bar |
| L18TS | Countertop Trash Chute with Cutting Board |
| CCTS | Trash Chute Carbon Fiber Vinyl Cover |

NOTE: For planning and installation details, including dimensions, specification sheets, and CAD drawings please visit the Support/Product Documents section of the Lynx website: lynxgrills.com

CLASSIC STORAGE COLLECTION



MODEL L20TR

OUTDOOR TRASH CENTER

- Attractive convenience—concealed option with two receptacles for recycling and trash
- Stunning details—hand-polished mirrored highlights
- Elegant touch—Lynx Professional style door handle
- Stable strength—rigid welded construction ensures strength and longevity



MODEL LTA30

30" TRASH CENTER & DOUBLE DRAWERS

- Efficient space—combination trash center and storage system
- Quick clean-up—includes a removable receptacle for recycling or trash
- Convenient storage—with two stacked drawers
- Proven durability—robust commercial design
- Easy fit—accommodates a small trash bin or an LP gas tank
- Elegant touch—polished door handles



MODEL LUDE

UTILITY DRAWERS - DOUBLE DRAWERS

- Extensive storage—the extended depth of 22 inches accommodates oversized grilling tools, towels, or wood chips
- Stable strength—rigid welded construction ensures strength and longevity
- Stunning details—hand-polished mirrored highlights
- Smooth reliability—fully extendable drawers on commercial stainless steel rollers
- Elegant touch—polished door handles

CLASSIC STORAGE COLLECTION



MODEL LUDXL-1

UTILITY DRAWERS - EXTRA LARGE DOUBLE DRAWERS

- Extensive storage—the extended depth of 22 inches accommodates oversized grilling tools, towels, or wood chips
- Stable strength—rigid welded construction ensures strength and longevity
- Stunning details—hand-polished mirrored highlights
- Smooth reliability—fully extendable drawers on commercial stainless steel rollers
- Elegant touch—polished door handles



MODEL LMD

MODULAR STORAGE DRAWER

- Lasting beauty—high-quality stainless steel
- Variable configuration—drawers can be installed individually, or as two or three drawers stacked
- Optional expansion—a modular drawer kit (Model LMD-KIT) lets you stack drawers two or three high
- Complete access—full-extension glide-out drawer slides for access to the back of the drawer
- Consistent lines—the 3-drawer configuration matches the height of Lynx LDR Access Doors



MODEL LPA36

36" CLASSIC SEALED PANTRY

- Clean storage—magnetic gasket ensures a tight seal against outdoor elements
- Flexible storage—adjustable wire shelf
- Spacious storage—storage is 31 by 18 by 20 inches
- Complete access—full-extension glide-out drawer slides for access to the back of the drawer
- Striking effect—interior lighting for drawers and door lock

CLASSIC STORAGE COLLECTION



MODEL L18TS

COUNTERTOP TRASH CHUTE

- Quick access—offers convenient countertop trash disposal
- Intuitive convenience—commercial-style slide-away chopping board
- Versatile integration—works with any Lynx trash center
- Beautiful coverage—stainless steel cover with a polished highlight included

| MODEL | DESCRIPTION |
|---------|--|
| LDR18L | 18" Access Door (Hinge Left) |
| LDR18R | 18" Access Door (Hinge Right) |
| LDR24L | 24" Access Door (Hinge Left) |
| LDR24R | 24" Access Door (Hinge Right) |
| LDR30T | 30" Access Doors |
| LDR36T | 36" Access Doors |
| LDR42T | 42" Access Doors |
| LSA30 | 30" Door Drawer Combination |
| LSA36 | 36" Door Drawer Combination |
| LSA42 | 42" Door Drawer Combination |
| LPA36 | 36" Sealed Pantry |
| LUDE | Utility Drawers - Two full standard drawers with 5" offset handles |
| LUDXL-1 | Utility Drawers - Two Extra large drawers with 5" offset handles. |
| LDW16 | Double Drawer 16" Wide (soft close) |
| LDW19 | Double Drawer 19" Wide (soft close) |
| LMD | Modular Drawer (single drawer) |
| LMD-KIT | Modular Drawer Kit (allows you to stack model LMD 2 or 3 high) |
| LTA30 | 30" Trash and Double Drawers |
| L20TR | Trash and Recycle Center |
| L18TS | Trash Chute |

NOTE: For planning and installation details, including dimensions, specification sheets, and CAD drawings please visit the Support/Product Documents section of the Lynx website: lynxgrills.com

SINKS AND COCKTAIL STATIONS



MODEL LSK30

30" SINK

- Generous space—basin is 26.75 by 16.5 by 10 inches, has a 3.5-inch drain with stopper and basket, and accommodates disposal units
- Thorough chilling—fully insulated with capacity for 30 pounds of ice
- Striking effect—blue lighting and switch
- Beautiful coverage—stainless steel cover included



MODEL LSK24

24" SINK

- Generous space—basin is 20.75 by 16.5 by 10 inches, has a 3.5-inch drain with stopper and basket, and accommodates disposal units
- Beautiful coverage—stainless steel cover included
- Thorough chilling—fully insulated with capacity for 24 pounds of ice
- Striking effect—blue lighting and switch



MODEL LSK18

18" SINK

- Convenient depth—basin is 18.75 by 16.5 by 10 inches, has a 3.5-inch drain with stopper and basket, and accommodates disposal units
- Beautiful coverage—stainless steel cover included
- Thorough chilling—fully insulated with capacity for 18 pounds of ice
- Striking effect—blue lighting and switch



MODEL LPFK

GOOSENECK PULL-DOWN FAUCET

- Flexible use—features a pull-down faucet head
- Lasting assurance—outdoor rated with a 10-year warranty
- Long-lasting design—carefully engineered to operate without washers
- Easy functionality—easily operates with a single-lever handle
- Flawless finish—solid stainless steel faucet
- Versatile configuration—install for hot/cold or cold-only water
- Elegant simplicity—designed with understated style
- Tested efficiency—compliant with California Energy Commission (CEC) standards



MODEL LCS30

30" BUILT-IN COCKTAIL PRO

- Quick convenience—built-in bottle opener with cap catcher
- Intuitive design—bottle boots chill juices, wines, and mixes while the speedrail front offers easy access to bottle storage
- Eye-catching illumination—blue lighting on the front panel
- Ready to chill—the insulated ice bin with sliding stainless steel cover keeps ice at the ready all day
- Intuitive convenience—integrated towel holder



MODEL LCS30F

30" FREESTANDING COCKTAIL PRO

Same features as LCS30 (left) plus:

- Quick expansion—two fold-down shelves
- Easy clean-up—doors include bottle shelves that are removable for easy cleaning
- Ready to roll—four commercial casters make these units easy to move
- Optional expansion—shown with optional pass shelf and halogen light (LCSPS)
- Beautiful coverage—stainless steel cover included

| MODEL | DESCRIPTION |
|---------|--|
| LSK18 | 18" Insulated Sink |
| LSK24 | 24" Insulated Sink |
| LSK30 | 30" Insulated Sink |
| LPFK | Pull Down Gooseneck Faucet |
| LCS30 | Built-In Cocktail Pro Station |
| LCS30F | Freestanding Cocktail Pro Station |
| LCSPS | Pass Shelf accessory with halogen light |
| CCLSK18 | 18" Sink Carbon Fiber Vinyl Cover (for sink with faucet LPFK) |
| CCLSK24 | 24" Sink Carbon Fiber Vinyl Cover (for sink with faucet LPFK) |
| CCLSK30 | 30" Sink or 30" Cocktail Carbon Fiber Vinyl Cover (for sink/cocktail pro with faucet LPFK) |

NOTE: For planning and installation details, including dimensions, specification sheets, and CAD drawings, please visit the Support/Product Documents section of the Lynx website: lynxgrills.com

OUTDOOR HEATING



Shown: LEH39

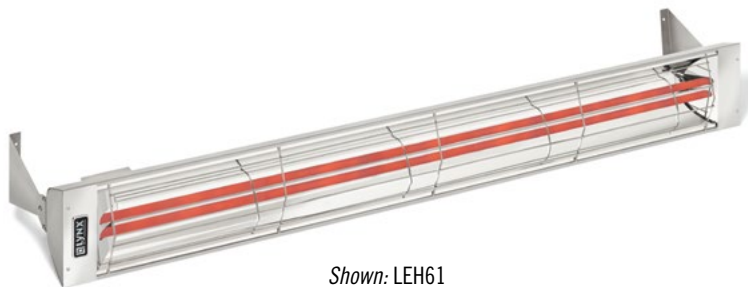


MODEL LEH39

39" DUAL ELEMENT ELECTRIC HEATER

- Includes dual stacked control
- 4000 Watt, 240 Volt capacity
- 8-12' mounting height
- UL Listed for outdoor use
- 8 x 10' heat coverage
- Approximately 5000 hours of use per element

*Shown: Dual Stacked Control on Mounting Plate (Mounting Plate not included)
Included with both LEH39 and LEH61*



Shown: LEH61

MODEL LEH61

61" DUAL ELEMENT ELECTRIC HEATER

- Includes dual stacked control
- 6000 Watt, 240 Volt capacity
- 10-14' mounting height
- UL Listed for outdoor use
- 11 x 11' heat coverage
- Approximately 5000 hours of use per element

OUTDOOR HEATING

The Lynx Life awaits you all year round. Outdoor heaters help you extend those late-night conversations and early-morning reflections. Savor the crisp Fall and Winter seasons as you host celebrations or take time to contemplate.

OUTDOOR HEATING

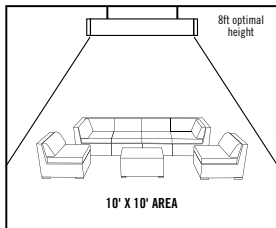


Shown: LHPM-ELC

MODEL LHPM

POST-MOUNTED INFRARED OUTDOOR HEATER

- Proven durability—robust commercial design, built with stainless steel
- Intense performance—polished double surface reflector intensifies heat output
- Proven reliability—designed for improved wind resistance
- Comfortable configuration—remote wall switch operation with high/low heat selection
- Tailored fitting—available only with natural gas
- Copious comfort—innovative technology reduces the center hot spot and distributes heat more evenly
- Broad coverage—emits a large radius of heat
- Consistent assurance—direct spark ignition with automatic relighting
- Comprehensive configuration—Remote wall switch operation (LHPM-ELC switch kit included)
- 2-stage output from 53,000 BTUs to 46,000 BTUs



MODEL LHEM48

48" EAVE-MOUNTED OUTDOOR HEATER

- Lasting elegance—Lynx legendary all-stainless-steel welded construction
- Functional beauty—decorative safety grill provides wind resistance
- Expansive warmth—heats up to a 10-by-10-foot area, depending on location and height
- Independent freedom—starter is battery operated, with no outlet required
- Impressive control—includes an additional touch screen remote control
- Elegant simplicity—designed with understated style
- Versatile adaptation—operates with Liquid Propane or Natural Gas
- Consistent assurance—direct spark ignition with automatic relighting
- Adaptive configuration—includes a wireless wall-mounted switch with on/off/high/low settings
- Variable Output from 35,000 BTUs to 24,000 BTUs
- Temperature control from 45°– 90° F

| MODEL | DESCRIPTION |
|----------|---|
| LEH39 | 39" Dual Element electric heater |
| LEH61 | 61" Dual Element electric heater |
| FMKIT39 | Flush Mount Frame Kit for LEH39 |
| FMKIT61 | Flush Mount Frame Kit for LEH61 |
| LERE2024 | Replacement Element for LEH39 |
| LERE3024 | Replacement Element for LEH61 |
| LHPM-NG | Post-Mounted Infrared Outdoor Heater (NG) |
| LHEM48 | Eave-Mounted Heater |
| LHPM-BC | Base Mounting Cover (for use with LHPM Only) |
| LHPM-IC | Island Post Hole Cover |
| CCMD | Outdoor Heater Dome Carbon Fiber Vinyl Cover / Fits Models LHPM |

ACCESSORIES



MODEL LSTK

LYNX STEAK KNIFE SET

- Complete preparation—set includes six 5-inch steakhouse-style knives with a beautiful wooden case
- Magnificent quality—crafted from German stainless steel delivers perfect performance
- Elegant finish—polished black and stainless steel handles



MODEL RB8

ROTISSERIE BASKET

- Brilliant versatility—great for vegetables, chicken wings, roasting coffee beans and more
- Easy addition—compatible with any Lynx or Sedona rotisserie grill
- Flexible placement—works with both the rear rotisserie burner or standard grilling burners
- Quick clean-up—easy to clean and dishwasher safe



MODEL GP

GRIDDLE PLATE

- Amazing options—cook anything on your grill
- Generous space—11" x 15" cooking surface
- Thoughtful design—angled 5° slope front to rear to prevent spillage, and 2" high sides
- Stable placement—four feet firmly grip grates
- Quick clean-up—easy-to-clean stainless steel surface

ACCESSORIES



MODEL LGRT

GRILLING TOOL SET

- Ready for action—three-piece tool set with additional basting brush attachment
- Intuitive design—spatula has a serrated leading edge that allows tool to slide easily under food
- Secure hold—tongs have a locking mechanism to grip food easily
- Versatile use—basting brush easily bastes juices onto food; attachment also works with cleaning tool
- Simple clean-up—cleaning tool helps eliminate baked foods from solid grates
- Comfortable grip—large, durable handles with ergonomic design for comfort, efficiency, and ease of use



LYNX SONOMA BLEND SMOKING CHIPS

- Delicious options—available in four different flavors: Pecan, Apple, Mesquite and Hickory
- Easy to use—no soaking required

| MODEL | DESCRIPTION |
|--------|--|
| LSTK | Lynx Steak Knife Set |
| RB8 | Rotisserie Basket |
| LGRT | Grilling Tool Set |
| GP | Griddle Plate |
| PROLPK | 30" / 42" / 54" Grills - NG to LP Conversion Kit |
| PRONGK | 30" / 42" / 54" Grills - LP to NG Conversion Kit |
| PRELPK | 27" / 36" Grills - NG to LP Conversion Kit |
| PRENGK | 27" / 36" Grills - LP to NG Conversion Kit |
| ATRLPK | All Trident 30" / 36" / 42" - NG to LP Conversion Kit |
| ATRNGK | All Trident 30" / 36" / 42" - LP to NG Conversion Kit |
| SLPK | Side Burners - NG to LP Conversion Kit |
| SNGK | Side Burners - LP to NG Conversion Kit |
| LPEK | 12' extension cord between a Lynx Grill and a Lynx Accessory |
| LASK | Lynx Accessory Switch Kit - Switch & transformer to operate an accessory independently |
| LSCA | Woodchip Blend, Apple |
| LSCH | Woodchip Blend, Hickory |
| LSCM | Woodchip Blend, Mesquite |
| LSCP | Woodchip Blend, Pecan |
| LSCF | Woodchip Blend - Four Pack: Apple, Hickory, Mesquite & Pecan |

NOTE: For planning and installation details, including dimensions, specification sheets, and CAD drawings please visit theSupport/Product Documents section of the Lynx website: lynxgrills.com

SPECIFICATIONS

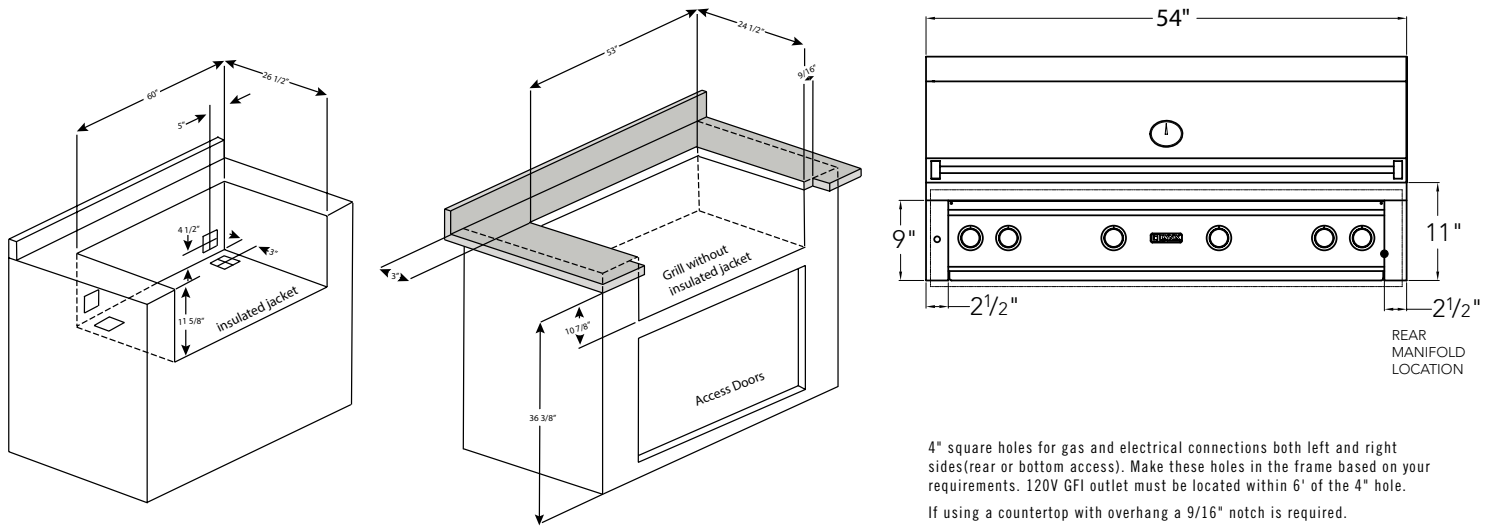
The guides, measurements, and dimensions detailed below are designated to assist you with planning your outdoor kitchen.

NOTE: Due to continuing product innovation, specifications are subject to change without notice. All measurements are in inches.

IMPORTANT: Please reference the Care & Use / Installation manual for details on gas plumbing requirements, electrical specifications, and the proper installation of your Lynx outdoor kitchen equipment. This manual can be downloaded from the Lynx website at www.lynxgrills.com

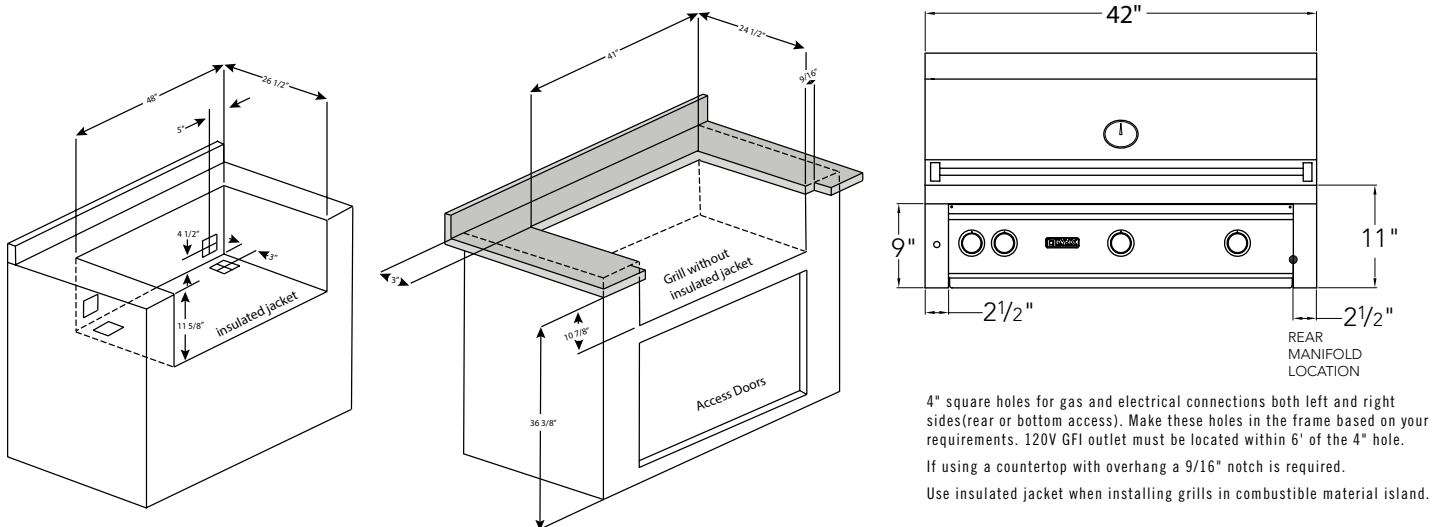
NOTE: For planning and installation details, including dimensions, specification sheets, and CAD drawings please visit the Trade Resources section of the Lynx website: lynxgrills.com

54" GRILL DIMENSIONS & ISLAND PREPARATION



4" square holes for gas and electrical connections both left and right sides(rear or bottom access). Make these holes in the frame based on your requirements. 120V GFI outlet must be located within 6' of the 4" hole.
If using a countertop with overhang a 9/16" notch is required.
Use insulated jacket when installing grills in combustible material island.

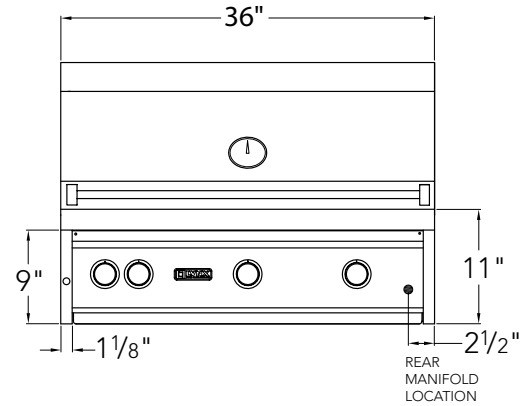
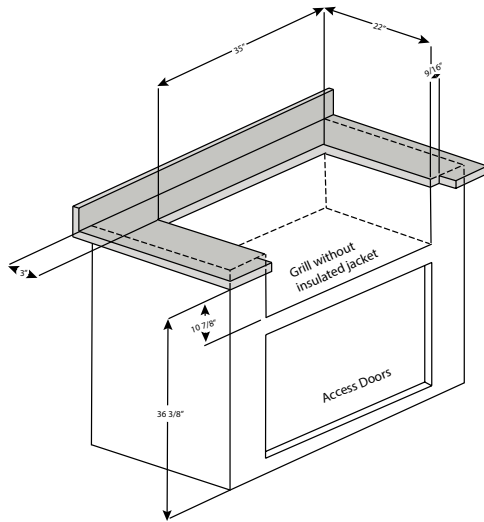
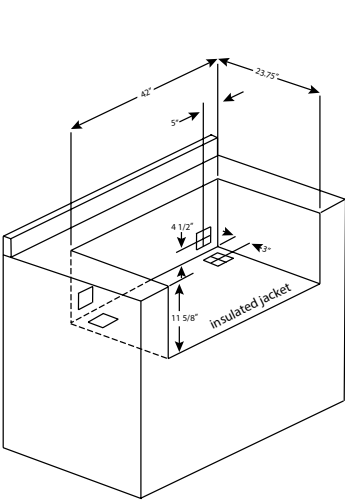
42" GRILL DIMENSIONS & ISLAND PREPARATION



4" square holes for gas and electrical connections both left and right sides(rear or bottom access). Make these holes in the frame based on your requirements. 120V GFI outlet must be located within 6' of the 4" hole.
If using a countertop with overhang a 9/16" notch is required.
Use insulated jacket when installing grills in combustible material island.

SPECIFICATIONS

36" GRILL DIMENSIONS & ISLAND PREPARATION

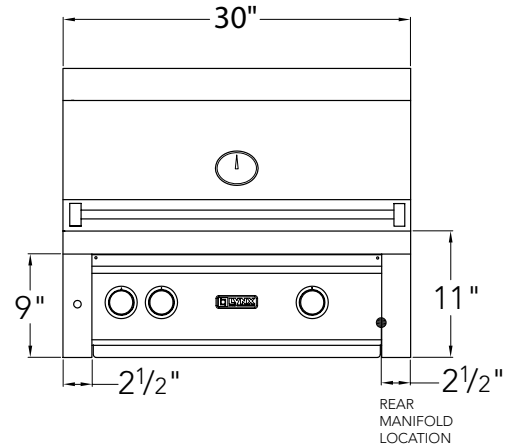
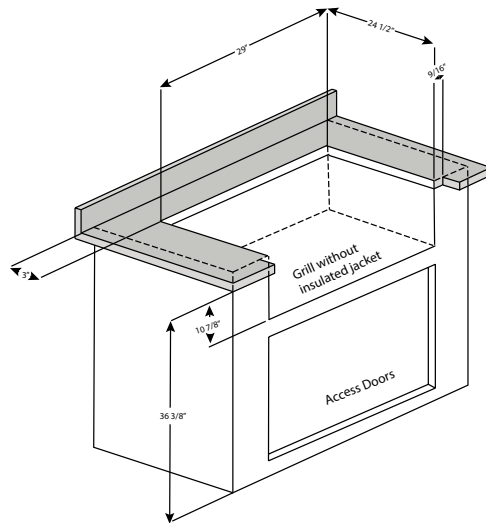
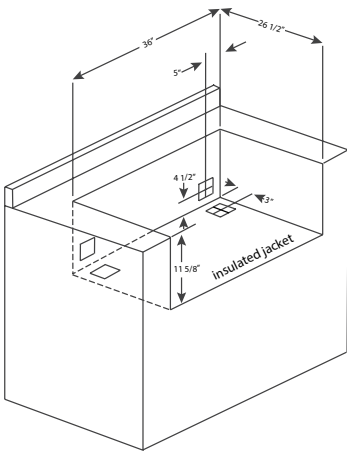


4" square holes for gas and electrical connections both left and right sides(rear or bottom access). Make these holes in the frame based on your requirements. 120V GFI outlet must be located within 6' of the 4" hole.

If using a countertop with overhang a 9/16" notch is required.

Use insulated jacket when installing grills in combustible material island.

30" GRILL DIMENSIONS & ISLAND PREPARATION

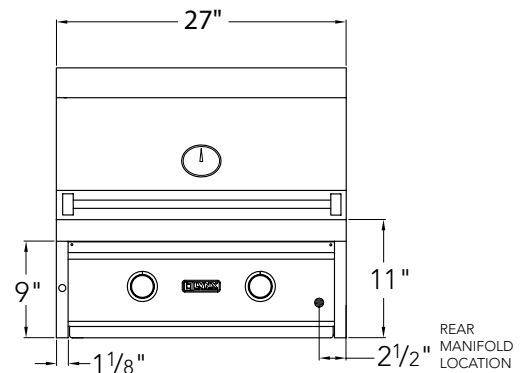
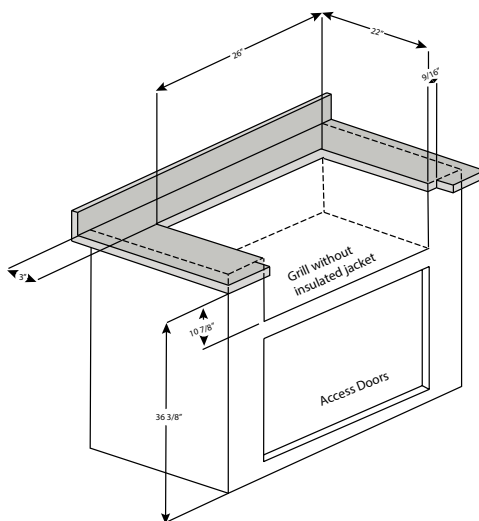
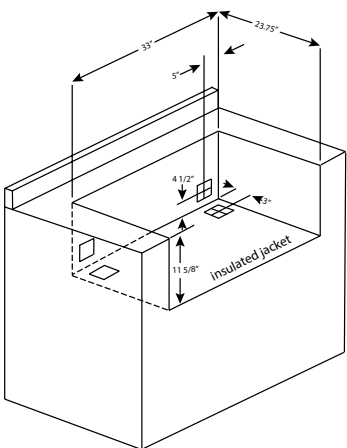


4" square holes for gas and electrical connections both left and right sides(rear or bottom access). Make these holes in the frame based on your requirements. 120V GFI outlet must be located within 6' of the 4" hole.

If using a countertop with overhang a 9/16" notch is required.

Use insulated jacket when installing grills in combustible material island.

27" GRILL DIMENSIONS & ISLAND PREPARATION



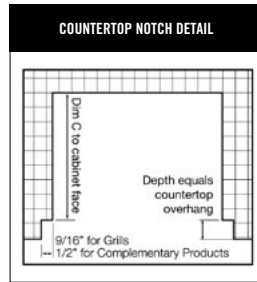
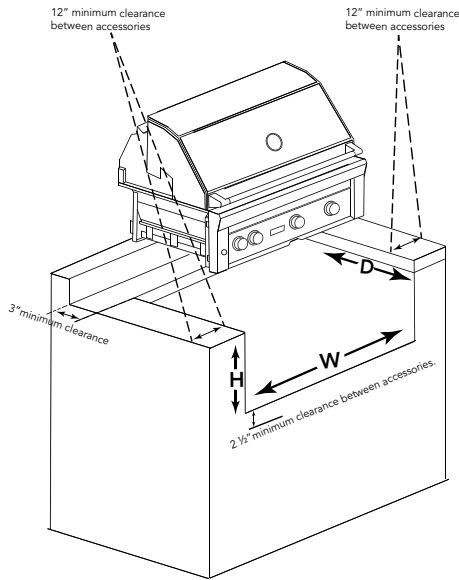
4" square holes for gas and electrical connections both left and right sides(rear or bottom access). Make these holes in the frame based on your requirements. 120V GFI outlet must be located within 6' of the 4" hole.

If using a countertop with overhang a 9/16" notch is required.

Use insulated jacket when installing grills in combustible material island.

SPECIFICATIONS

BUILT-IN GRILL SPECIFICATIONS & INSTALLATION



GRILLS

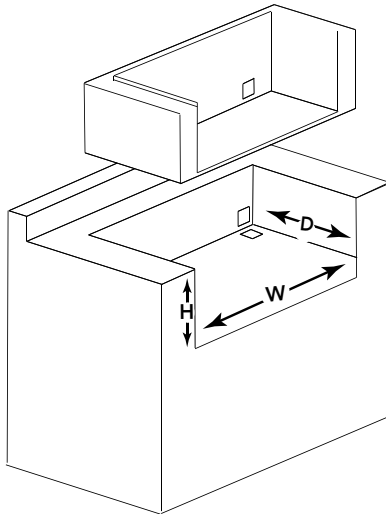
| MODEL | W (Width) | H (Height) | D (Depth) |
|-------|-----------|------------|-----------|
| L27 | 26.00 | 10.88 | 22.00 |
| L30 | 29.00 | 10.88 | 24.50 |
| L36 | 35.00 | 10.13 | 22.00 |
| L42 | 41.00 | 10.88 | 24.50 |
| L54 | 53.00 | 10.88 | 24.50 |

4" square holes for gas and electrical connections both left and right sides (rear or bottom access). Make these holes in the frame based on your requirements. 120V GFI outlet must be located within 6' of the 4" hole.

If using a countertop with overhang a 9/16" notch is required.

Use insulated jacket when installing grills in combustible material island.

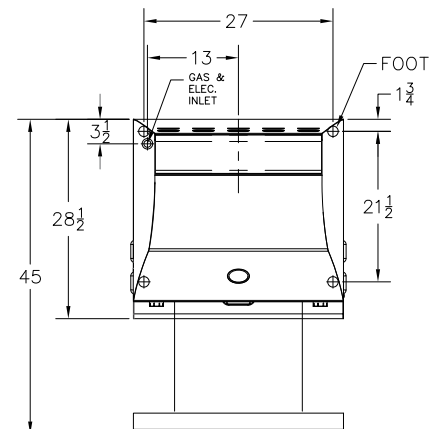
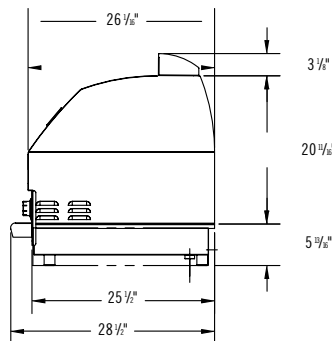
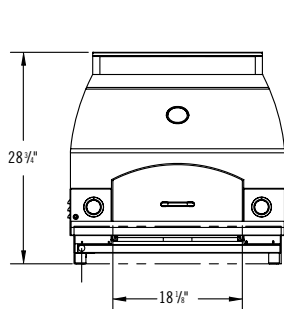
INSULATED JACKET SPECIFICATIONS & INSTALLATION



INSULATED JACKET

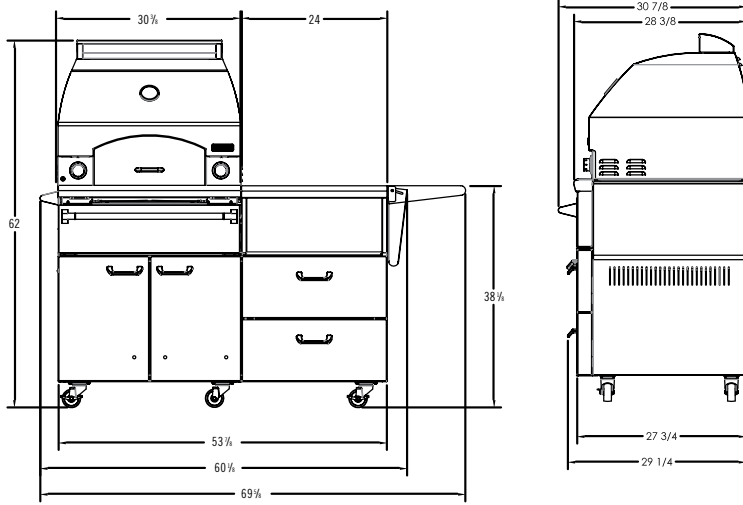
| MODEL | W (Width) | H (Height) | D (Depth) |
|-------|-----------|------------|-----------|
| LIJ27 | 33.00 | 11.63 | 23.75 |
| LIJ30 | 36.00 | 11.63 | 26.50 |
| LIJ36 | 42.00 | 11.63 | 23.75 |
| LIJ42 | 48.00 | 11.63 | 26.50 |
| LIJ54 | 60.00 | 11.63 | 26.50 |

NAPOLI OUTDOOR OVEN™ COUNTERTOP OR BUILT-IN



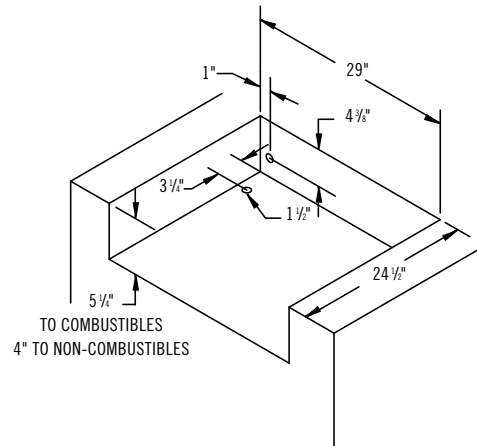
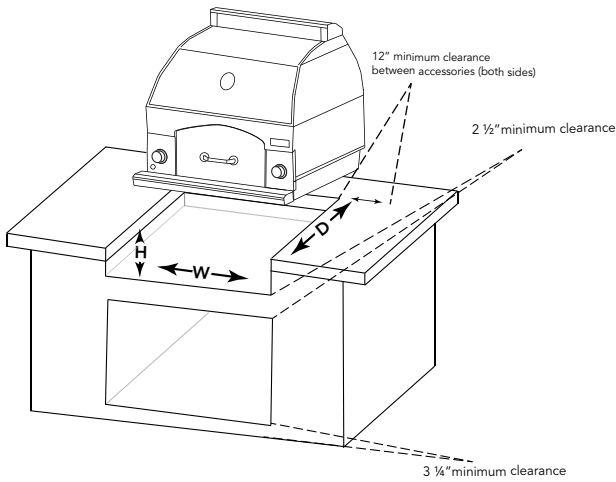
SPECIFICATIONS

NAPOLI OUTDOOR OVEN™ FREESTANDING

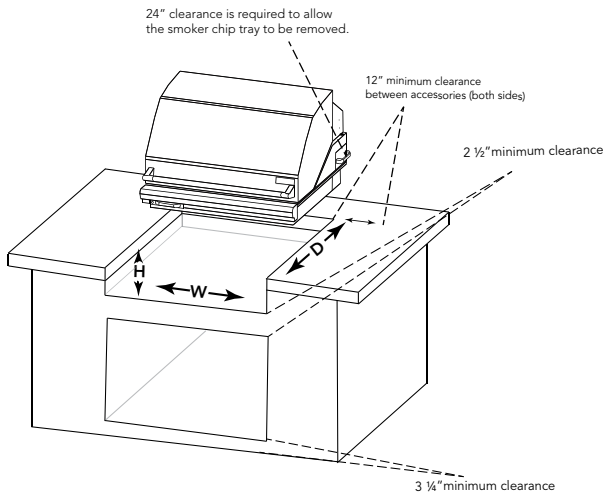


| MODEL | W (Width) | H (Height) | D (Depth) |
|-------|-----------|------------|-----------|
| LPZA | 29.00 | 4.00 | 24.50 |

NAPOLI OUTDOOR OVEN™ ISLAND PREPARATION



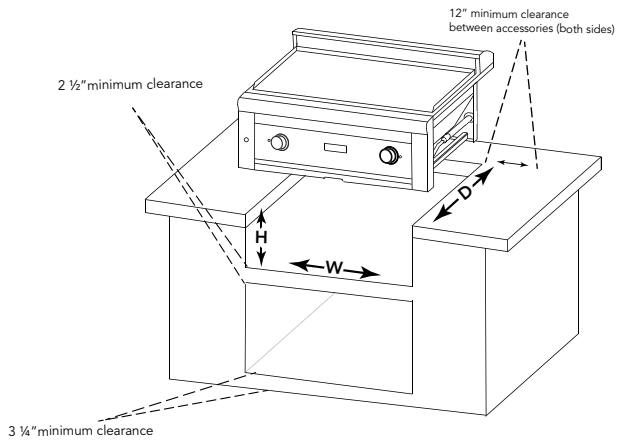
SMOKER SPECIFICATIONS & INSTALLATION



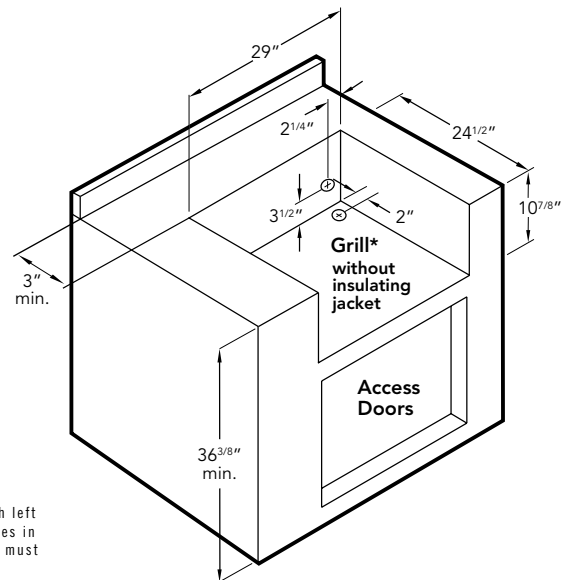
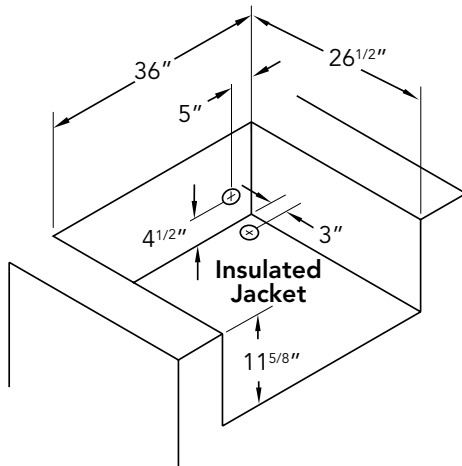
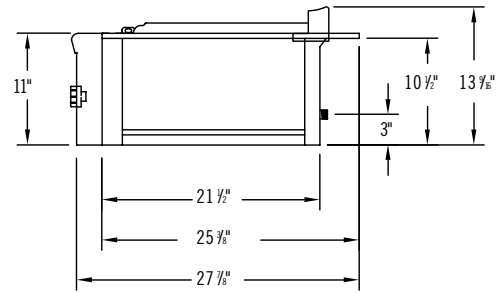
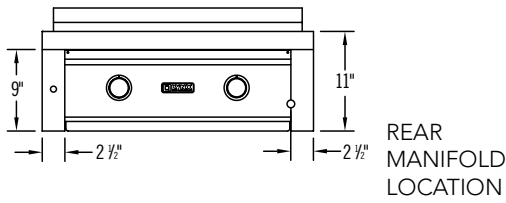
| MODEL | W (Width) | H (Height) | D (Depth) |
|-------|-----------|------------|-----------|
| LSMK | 29.00 | 4.00 | 24.50 |

SPECIFICATIONS

ASADO COOKTOP SPECIFICATIONS & INSTALLATION



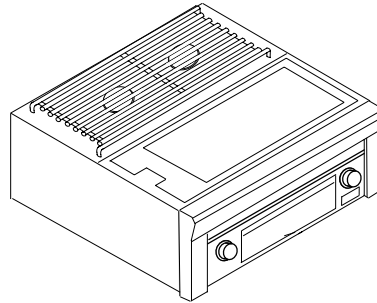
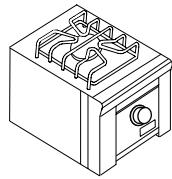
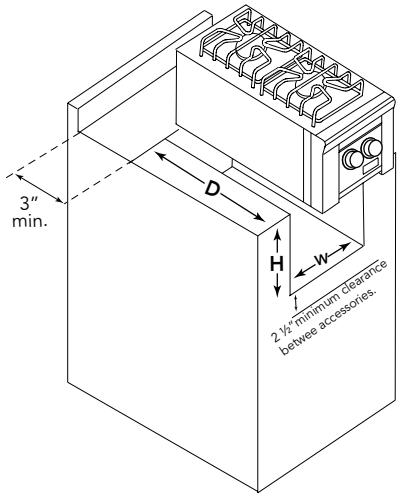
| MODEL | W (Width) | H (Height) | D (Depth) |
|-------|-----------|------------|-----------|
| L30AG | 29.00 | 10.88 | 24.50 |



4" square holes for gas and electrical connections both left and right sides (rear or bottom access). Make these holes in the frame based on your requirements. 120V GFI outlet must be located within 6" of the 4" hole.

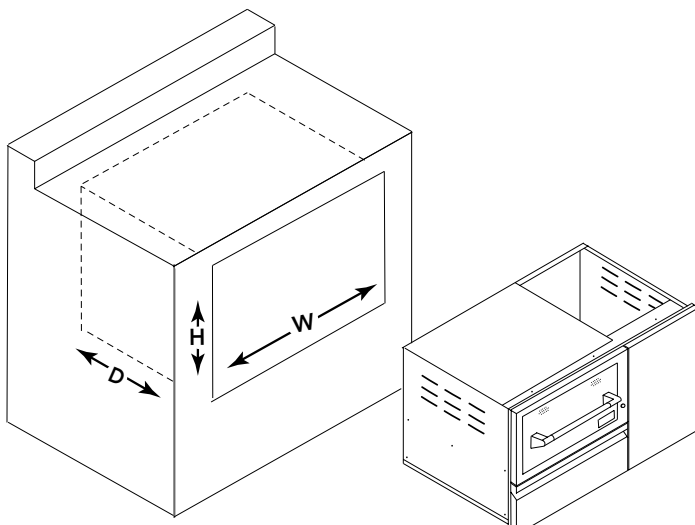
SPECIFICATIONS

SIDE BURNER SPECIFICATIONS & INSTALLATION

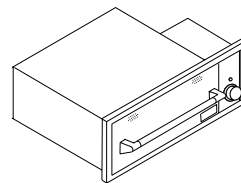


| MODEL | W (Width) | H (Height) | D (Depth) |
|----------|-----------|------------|-----------|
| LSB1-3 | 12.13 | 10.63 | 12.50 |
| LSB2-2 | 12.13 | 10.63 | 24.50 |
| LSB2PC-1 | 24.25 | 10.63 | 24.50 |
| LPB | 19.00 | 10.63 | 22.00 |

WARMING DRAWERS SPECIFICATIONS & INSTALLATION

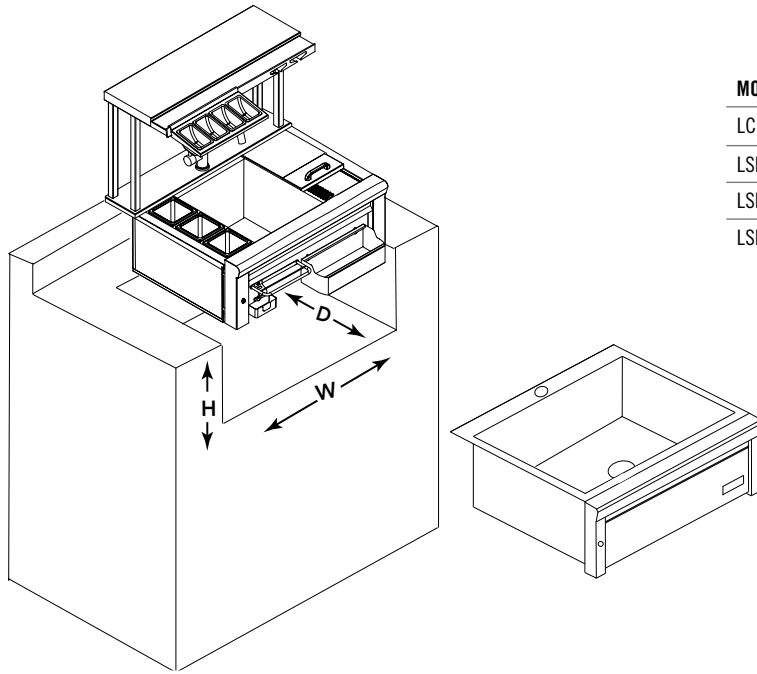


| MODEL | W (Width) | H (Height) | D (Depth) |
|---------|-----------|------------|-----------|
| L30WD-1 | 28.50 | 10.00 | 20.50 |
| L42CC-1 | 40.25 | 19.38 | 24.50 |



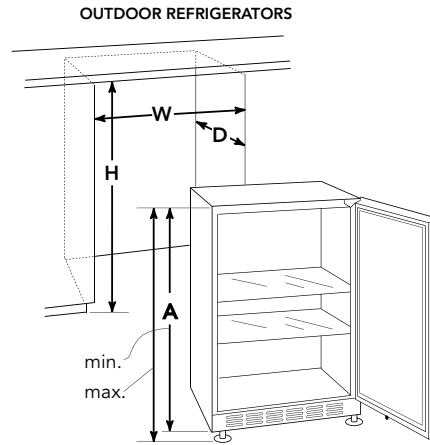
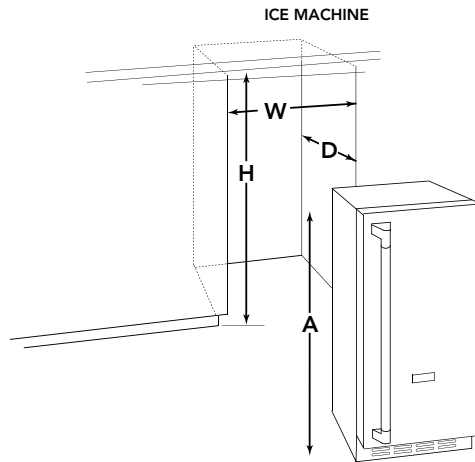
SPECIFICATIONS

COCKTAIL PROFESSIONAL SINKS SPECIFICATIONS & INSTALLATION



| MODEL | W (Width) | H (Height) | D (Depth) |
|-------|-----------|------------|-----------|
| LCS30 | 29.00 | 10.50 | 22.00 |
| LSK18 | 17.00 | 10.50 | 22.00 |
| LSK24 | 23.00 | 10.50 | 22.00 |
| LSK30 | 29.00 | 10.50 | 22.00 |

REFRIGERATION ISLAND PREPARATION



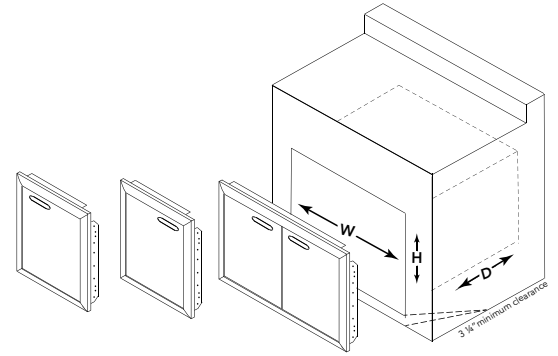
| MODEL | W (Width) | H (Height) | D (Depth) | A (Adj. Height) |
|----------|-----------|-------------|-----------|-----------------|
| LM15REF | 15.00 | 34.00-35.00 | 24.00 | 33.75-34.75 |
| LM24REF | 24.00 | 34.00-35.00 | 24.00 | 33.75-34.75 |
| LM24REFC | 24.00 | 34.00-35.00 | 24.00 | 33.75-34.75 |
| LM24BF | 24.00 | 34.00-35.00 | 24.00 | 33.75-34.75 |
| LM24DWR | 24.00 | 34.00-35.00 | 24.00 | 33.75-34.75 |
| LM15WINE | 15.00 | 34.00-35.00 | 24.00 | 33.75-34.75 |
| LM15ICER | 15.00 | 34.00-35.00 | 24.00 | 33.75-34.75 |

SPECIFICATIONS

STORAGE

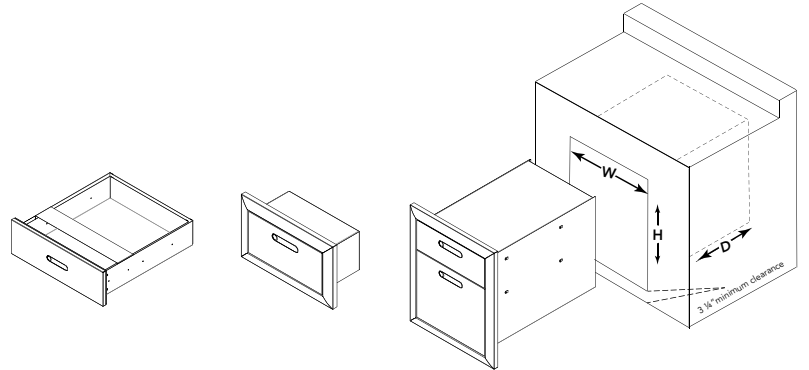
ACCESS DOORS

| MODEL | W (Width) | H (Height) |
|------------|-----------|------------|
| LDR18L/R-4 | 13.38 | 19.00 |
| LDR24L/R-4 | 19.25 | 19.00 |
| LDR30T-4 | 25.13 | 19.00 |
| LDR36T-4 | 31.50 | 19.00 |
| LDR42T-4 | 37.50 | 19.00 |
| LDR18L/R | 13.63 | 19.00 |
| LDR24L/R | 19.25 | 19.00 |
| LDR30T | 25.25 | 19.00 |
| LDR36T | 31.63 | 19.00 |
| LDR42T | 37.63 | 19.00 |



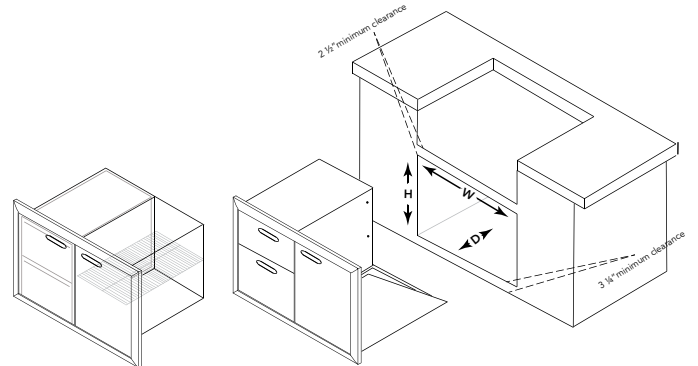
UTILITY DRAWERS

| MODEL | W (Width) | H (Height) | D (Depth) |
|---------|-----------|------------|-----------|
| LDW16-4 | 12.25 | 19.00 | 24.50 |
| LDW19-4 | 15.25 | 19.00 | 24.50 |
| LMD-4 | 21.75 | 5.63 | 23.38 |
| LTWL | 14.63 | 7.25 | 7.00 |
| LMD | 21.75 | 5.63 | 23.38 |
| LDW16 | 14.00 | 19.00 | 24.50 |
| LDW19 | 17.50 | 19.00 | 24.50 |
| LUDE | 12.13 | 19.25 | 24.00 |
| LUDXL-1 | 17.25 | 18.56 | 24.25 |



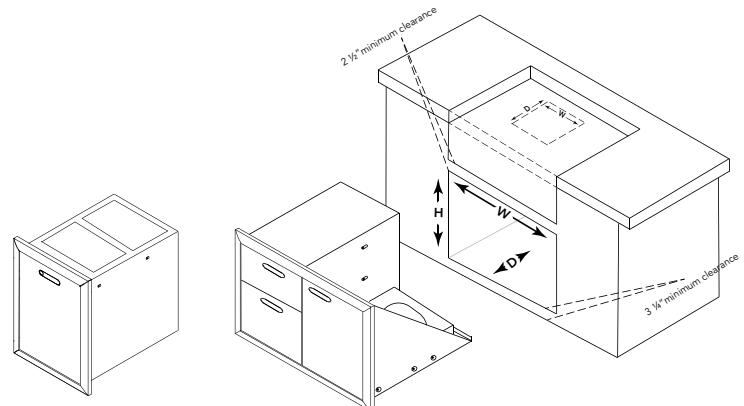
STORAGE SYSTEMS

| MODEL | W (Width) | H (Height) | D (Depth) |
|---------|-----------|------------|-----------|
| LSA30-4 | 25.44 | 19.00 | 24.50 |
| LSA36-4 | 31.44 | 19.00 | 24.50 |
| LSA42-4 | 37.44 | 19.00 | 24.50 |
| LPA36-4 | 31.50 | 19.00 | 24.50 |
| LSA30 | 28.25 | 19.00 | 24.50 |
| LSA36 | 34.25 | 19.00 | 24.50 |
| LSA42 | 40.25 | 19.00 | 24.50 |
| LPA36 | 34.25 | 19.00 | 24.50 |



TRASH CENTERS

| MODEL | W (Width) | H (Height) | D (Depth) |
|---------|-----------|------------|-----------|
| L20TR-4 | 16.13 | 24.00 | 24.50 |
| LTA30-4 | 25.44 | 19.00 | 24.50 |
| L18TS | 8.25 | 6.25 | — |
| LTA30 | 28.25 | 19.00 | 24.50 |
| L20TR | 16.81 | 24.00 | 24.75 |



PRODUCT DIMENSION QUICK-REFERENCE GUIDE

GRILLS

| MODEL | W (Width) | H (Height) | D (Depth) |
|-------|-----------|------------|-----------|
| L27 | 26.00 | 10.88 | 22.00 |
| L30 | 29.00 | 10.88 | 24.50 |
| L36 | 35.00 | 10.13 | 22.00 |
| L42 | 41.00 | 10.88 | 24.50 |
| L54 | 53.00 | 10.88 | 24.50 |

SIDE BURNERS

| MODEL | W (Width) | H (Height) | D (Depth) |
|----------|-----------|------------|-----------|
| LSB1-3 | 12.13 | 10.63 | 12.50 |
| LSB2-2 | 12.13 | 10.63 | 24.50 |
| LSB2PC-1 | 24.25 | 10.63 | 24.50 |
| LPB | 19.00 | 10.63 | 22.00 |

INSULATED JACKET

| MODEL | W (Width) | H (Height) | D (Depth) |
|-------|-----------|------------|-----------|
| LJ27 | 33.00 | 11.63 | 23.75 |
| LJ30 | 36.00 | 11.63 | 26.50 |
| LJ36 | 42.00 | 11.63 | 23.75 |
| LJ42 | 48.00 | 11.63 | 26.50 |
| LJ54 | 60.00 | 11.63 | 26.50 |

WARMING DRAWERS

| MODEL | W (Width) | H (Height) | D (Depth) |
|---------|-----------|------------|-----------|
| L30WD-1 | 28.50 | 10.00 | 20.50 |
| L42CC-1 | 40.25 | 19.38 | 24.50 |

NAPOLI OUTDOOR OVEN™ / SMOKER / ASADO COOKTOP

| MODEL | W (Width) | H (Height) | D (Depth) |
|-------|-----------|------------|-----------|
| LPZA | 29.00 | 4.00 | 24.50 |
| LSMK | 29.00 | 4.00 | 24.50 |
| L30AG | 29.00 | 10.88 | 24.50 |

COCKTAIL PROFESSIONAL SINKS

| MODEL | W (Width) | H (Height) | D (Depth) |
|-------|-----------|------------|-----------|
| LCS30 | 29.00 | 10.50 | 22.00 |
| LSK18 | 17.00 | 10.50 | 22.00 |
| LSK24 | 23.00 | 10.50 | 22.00 |
| LSK30 | 29.00 | 10.50 | 22.00 |

REFRIGERATION

| MODEL | W (Width) | H (Height) | D (Depth) | A (Adj. Height) |
|----------|-----------|-------------|-----------|-----------------|
| LM15REF | 15.00 | 34.00-35.00 | 24.00 | 33.75-34.75 |
| LM24REF | 24.00 | 34.00-35.00 | 24.00 | 33.75-34.75 |
| LM24REFC | 24.00 | 34.00-35.00 | 24.00 | 33.75-34.75 |
| LM24BF | 24.00 | 34.00-35.00 | 24.00 | 33.75-34.75 |
| LM24DWR | 24.00 | 34.00-35.00 | 24.00 | 33.75-34.75 |
| LM15WINE | 15.00 | 34.00-35.00 | 24.00 | 33.75-34.75 |
| LM15ICER | 15.00 | 34.00-35.00 | 24.00 | 33.75-34.75 |

PRODUCT DIMENSION QUICK-REFERENCE GUIDE

STORAGE ACCESS DOORS

| MODEL | W (Width) | H (Height) |
|------------|-----------|------------|
| LDR18L/R-4 | 13.38 | 19.00 |
| LDR24L/R-4 | 19.25 | 19.00 |
| LDR30T-4 | 25.13 | 19.00 |
| LDR36T-4 | 31.50 | 19.00 |
| LDR42T-4 | 37.50 | 19.00 |
| LDR18L/R | 13.63 | 19.00 |
| LDR24L/R | 19.25 | 19.00 |
| LDR30T | 25.25 | 19.00 |
| LDR36T | 31.63 | 19.00 |
| LDR42T | 37.63 | 19.00 |

STORAGE SYSTEMS

| MODEL | W (Width) | H (Height) | D (Depth) |
|---------|-----------|------------|-----------|
| LSA30-4 | 25.44 | 19.00 | 24.50 |
| LSA36-4 | 31.44 | 19.00 | 24.50 |
| LSA42-4 | 37.44 | 19.00 | 24.50 |
| LPA36-4 | 31.50 | 19.00 | 24.50 |
| LSA30 | 28.25 | 19.00 | 24.50 |
| LSA36 | 34.25 | 19.00 | 24.50 |
| LSA42 | 40.25 | 19.00 | 24.50 |
| LPA36 | 34.25 | 19.00 | 24.50 |

STORAGE UTILITY DRAWERS

| MODEL | W (Width) | H (Height) | D (Depth) |
|---------|-----------|------------|-----------|
| LDW16-4 | 12.25 | 19.00 | 24.50 |
| LDW19-4 | 15.25 | 19.00 | 24.50 |
| LMD-4 | 21.75 | 5.63 | 23.38 |
| LTWL | 14.63 | 7.25 | 7.00 |
| LMD | 21.75 | 5.63 | 23.38 |
| LDW16 | 14.00 | 19.00 | 24.50 |
| LDW19 | 17.50 | 19.00 | 24.50 |
| LUDE | 12.13 | 19.25 | 24.00 |
| LUDXL-1 | 17.25 | 18.56 | 24.25 |

TRASH CENTERS

| MODEL | W (Width) | H (Height) | D (Depth) |
|---------|-----------|------------|-----------|
| L20TR-4 | 16.13 | 24.00 | 24.50 |
| LTA30-4 | 25.44 | 19.00 | 24.50 |
| L18TS | 8.25 | 6.25 | — |
| LTA30 | 28.25 | 19.00 | 24.50 |
| L20TR | 16.81 | 24.00 | 24.75 |

NOTE: For planning and installation details, including dimensions, specification sheets, and CAD drawings please visit the Trade Resources section of the Lynx website: lynxgrills.com

WARRANTY INFORMATION

I. LIMITED LIFETIME WARRANTY

The stainless steel grill body, ceramic grill burners, cooking grates, Trident™ burner and rotisserie infrared burner are warranted to be free from defects in material and workmanship when subjected to normal domestic use and maintenance for the lifetime of the original purchaser. This warranty excludes surface corrosion, scratches, and discoloration which may occur during normal use. This warranty is limited to the replacement of the defective parts, with the owner paying a processing fee and all other costs including labor. Failure to perform required maintenance will void this warranty.

II. LIMITED FIVE-YEAR WARRANTY

The following grill parts are warranted to be free from defects in material and workmanship, when subjected to normal domestic use and maintenance, for a period of five (5) years from the original date of purchase; warming racks, spit rods, briquette trays, manifolds and gas valves. This warranty is limited to the replacement of the defective parts, with the owner paying a processing fee and all other costs including labor.

III. LIMITED TWO-YEAR WARRANTY

All other grill components are warranted to be free from defects in material and workmanship, when subjected to normal domestic use and maintenance, for a period of two (2) years from the original date of purchase. This warranty is limited to the replacement of the defective parts, with the consumer paying all labor costs.

IV. LIMITED ONE-YEAR WARRANTY

For a period of one (1) year from the original date of purchase, Lynx will replace or repair parts found to be defective at no cost to the original purchaser. This includes the cost of shipping replacement parts and, where necessary, service labor at prevailing local rates by a Lynx authorized service person. Service will be provided during normal business hours and must be authorized in advance by Lynx.

V. LIMITATIONS & EXCLUSIONS

- 1) This Warranty shall apply to products purchased and located in the United States and Canada. Products must be purchased in the country where service is requested.
- 2) Warranty applies only to the original purchaser and may not be transferred.
- 3) Warranty is in lieu of all other warranties expressed or implied and all other obligations or liabilities related to the sale or use of Lynx products.
- 4) Warranty shall not apply and Lynx is not responsible for damage resulting from misuse, abuse, failure to provide reasonable and necessary required maintenance, natural disaster, animals, and alteration of or tampering with the appliance, accident, hostile environment, flare-up fires, improper installation or operation, or an installation not in accordance with the instructions contained in this manual, or the local codes.

- 5) Lynx shall not be liable for incidental, consequential, special or contingent damages resulting from its breach of this written warranty or any implied warranty.
- 6) Some states do not allow limitations on how long an implied warranty lasts, or the exclusions of or limitations on consequential damages. This warranty gives you specific legal rights and you may have other rights which vary from state to state.
- 7) No one has the authority to add to or vary Lynx's warranty, or to create for Lynx any other obligation or liability in connection with the sale or use of its products.
- 8) Limited to the replacement of defective parts with the owner paying all other costs including labor.

VI. WHAT IS NOT COVERED: LYNX SHALL NOT BE RESPONSIBLE FOR AND SHALL NOT PAY FOR THE FOLLOWING

- 1) Installation or start-up, damages or problems caused by improper installation or use.
- 2) Service by an unauthorized service provider.
- 3) Damage or repair due to service by an unauthorized service provider or use of unauthorized parts.
- 4) Warranty does not apply to products installed in any commercial or non-residential application. Examples of excluded applications include, but are not limited to day care centers, schools, bed and breakfast centers, churches, private clubs, fire stations, club houses, common areas in multi-family dwellings, restaurants, hotels, nursing homes, food service locations and institutional food service locations. *Contact Lynx for Common Area Warranty.
- 5) To correct normal adjustments or settings, due to improper installation, commissioning or local gas supply properties.
- 6) Shipping and handling costs, export duties, installation, removal, or re-installation cost (RMA excluded).
- 7) Display models are sold "as is". If you have purchased a display model, please be advised that it is sold "as is" and that it is subject to the following warranty exclusions: any exterior or cosmetic damage is non-warrantable; any missing components will be replaced at consumers expense; major handling damage to manifold, valve and ignition system will be serviced at consumer's expense; all other warranties will remain in effect.
- 8) The cost of a service call to diagnose complaint.
- 9) Modification to Lynx product will void related warranties

* Please refer to Accessory Care & Use for respective warranties.

HOW TO OBTAIN SERVICE FROM LYNX

Before calling for service, please make sure you have the following information:

- Model Number
- Date of Purchase
- Proof of Purchase by the original owner
- Serial Number

Serial number can be located on the rating plate, which is located either on the underside of the drip tray or on the heat shield behind the front panel

For warranty service, contact the Lynx Customer Service Department for an authorized service agent near you at: 888.289.5969 or service@lynxgrills.com

Your satisfaction is of the utmost importance to us. If a problem cannot be resolved to your satisfaction, please write, fax, or email us:

Lynx Grills, Inc.

7300 Flores Street, Downey, CA 90242

Service: 888.289.5969 • Tel: 888-289-5969 • Fax: 562-299-6978

www.lynxgrills.com

Contact Lynx for replacement parts. Parts are shipped F.O.B. Downey, CA

CONNECT WITH THE LYNX LIFE



THERE'S SO MUCH MORE LYNX LIFE ONLINE!

Visit [lynxgrills](https://www.lynxgrills.com) and check out our complimentary design service, full library of product information and documents, videos, and photos

PRODUCT REGISTRATION ONLINE

Go to <https://www.lynxgrills.com/customer-care/product-registration> to register your new professional Lynx Grill warranty. The information you provide will not be shared with third parties or individuals without your consent.

CONNECT WITH **LYNX** ON



FACEBOOK

YOU TUBE

INSTAGRAM

HOZZ

TWITTER

PINTEREST

NOTES



FOR MORE INFORMATION, PLEASE CALL 1.888.289.5969 OR VISIT WWW.LYNXGRILLS.COM
PROUDLY HANDCRAFTED AND MANUFACTURED IN THE USA

LYNX GRILLS, INC.
7300 FLORES STREET DOWNEY, CA 90242 P/N 36518 02/01/2020 ©LYNX GRILLS, INC.